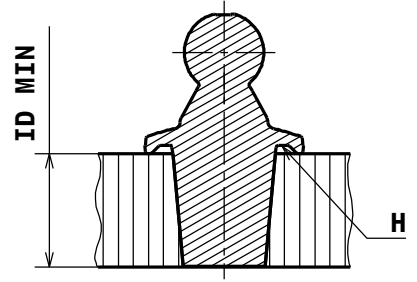
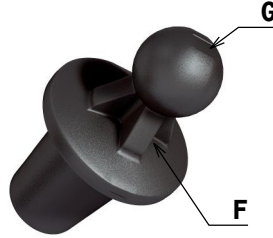
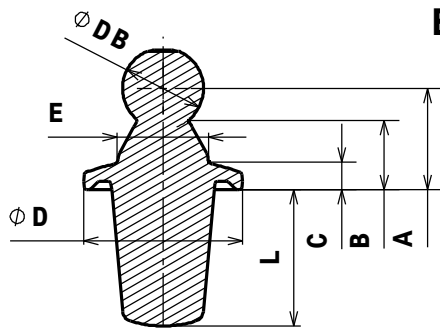


# EJOT TSSD® Z003



**DIMENSION DATA (DIMENSIONS IN INCH, BRACKETS ARE IN MILLIMETER, MASS IN GRAM)**

CODE	D	L	DB	A	B	C	E	ID MIN	MASS	TOOLING
01	.551 (14.0)	.472 (12.0)	.281 (7.14)	.352 (8.93)	.232 (5.9)	.089 (2.27)	.311 (7.9)	.433 (11.0)	1.70	T-Z003-01

**POLYMER MATERIAL**

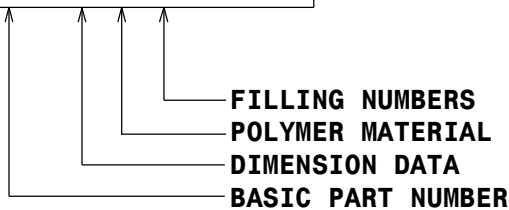
CODE	MATERIAL	TRADE NAME	COLOR	SPEC.
1	PA66 GF35	AKROLOY PA K17 FR BLACK (5762)	BLACK	-

**NOTES:**

1. THE INSTALLATION PARAMETERS ARE DEPENDENT OF THE COMPONENT PART MATERIAL AND HAVE TO BE DETERMINED BEFORE USE.
2. TOLERANCES OF D, DB AND L: D = ±.01 (±0.25)  
DB = +.003 (+0.06) -.006 (-0.14)  
L = ±.02 (±0.5)
3. DIMENSION IN INCH UNLESS VALUES IN BRACKETS ARE IN MILLIMETER. DIMENSION OF MASS IS GRAM.
4. THE MASS APPLIES TO THE UNINSTALLED PRODUCT AND IS EXTRACTED FROM THE CAD-MODEL.
5. LABEL 'F' (GEOMETRY FOR INSTALLATION TOOL) IS AT THE DISCRETION OF THE MANUFACTURER.
6. LABEL 'G' (INJECTION MOLDING FEATURE) IS AT THE DISCRETION OF THE MANUFACTURER.
7. LABEL 'H' (FLUTING GEOMETRY) IS AT THE DISCRETION OF THE MANUFACTURER.
8. THE DIMENSIONS ARE EXTRACTED FROM CAD-MODEL.
9. DECREASING OF ID MIN HAS TO BE CHECKED INDIVIDUALLY.
10. THE DATASHEET DOES NOT REPLACE ORIGINAL SINGLE PART DRAWINGS.

**EXAMPLE PART NUMBER**

Z003 01 1 000



FOR THIS DRAWING WE RESERVE ALL RIGHT. WITHOUT OUR PERMISSION IT MAY NEITHER BE COPIED NOR MADE ACCESSIBLE TO THIRD PERSONS. ALL PATENT, TRADEMARK AND OTHER RIGHT IN AND TO THIS DRAWING AND DESIGN ARE EXPRESSLY RESERVED BY EJOT.

ISSUE	MODIFICATION BY CAD ONLY			DATE	CHANGED
CONSTRUCTED	01.09.17	N.Mueller	TITLE	GENERAL PLASTIC TOLERANCES DIN 16742-TG6	
DRAWN	01.09.17	N.Mueller	EJOT TSSD® WITH BALLHEAD		DIMENSIONS IN INCH (MM)
APPROVED	01.09.17	D.Kittel	PRODUCT GROUP		VERSION
EJOT®		CAD SYSTEM	DOCUMENT NO. EJOT	Z003	
		CATIA V5 R24	6170132	SCALE	ORIGINAL
				00	32 A4