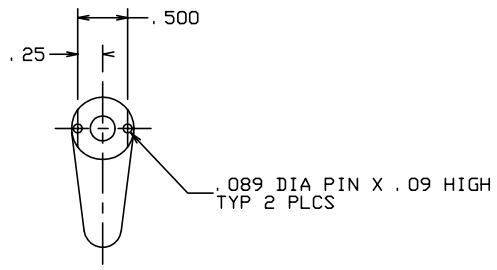
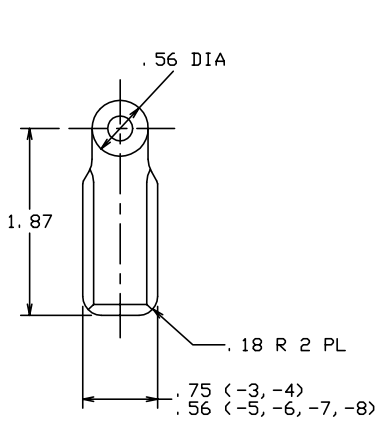
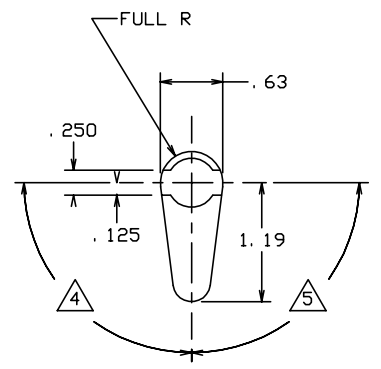
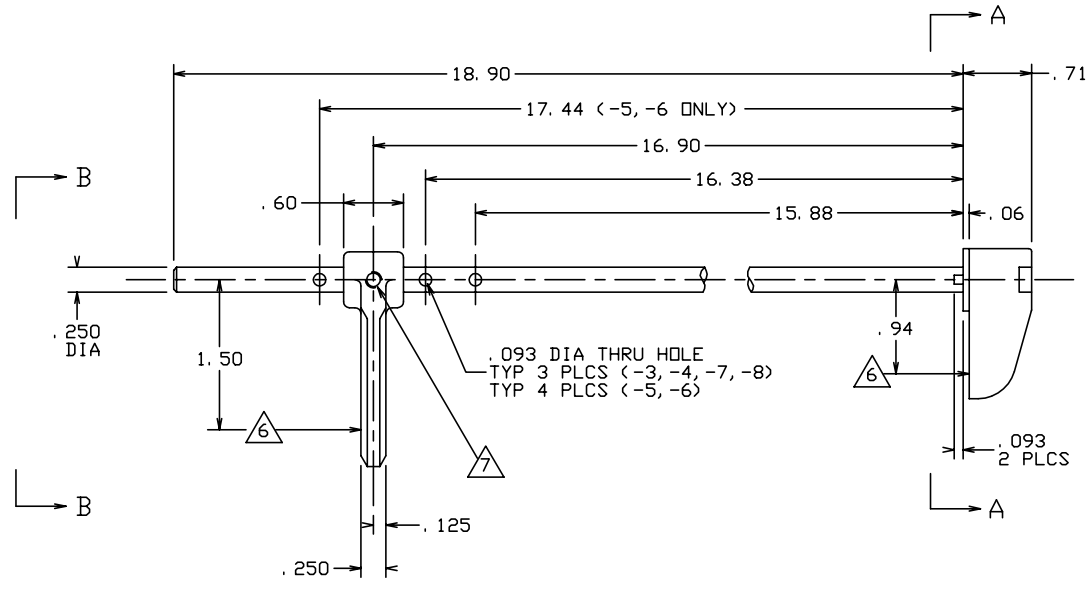


THE INFORMATION AND DESIGN HEREIN WAS ORIGINATED BY AND IS THE PROPERTY OF SKYLOCK INDUSTRIES INCORPORATED. SKYLOCK INDUSTRIES INCORPORATED RESERVES ALL PATENT, PROPRIETARY, DESIGN MANUFACTURING, REPRODUCTION, USE AND SALES RIGHTS THERE TO, AND TO ANY ARTICLE DISCLOSED THEREIN EXCEPT TO THE EXTENT RIGHTS ARE EXPRESSLY GRANTED TO OTHERS. THE FOREGOING DOES NOT APPLY TO VENDOR PROPRIETARY PARTS.

| REVISIONS | | | | |
|-----------|-----|--------------------|---------|----------|
| ZONE | LTR | DESCRIPTION | DATE | APPROVED |
| | NC | PRODUCTION RELEASE | 8-25-93 | T. CSIK |

NOTES: UNLESS OTHERWISE SPECIFIED.

1. MAT'L: TURN; ALUM. ALLOY,
ALL OTHER PARTS; CRES.
2. FINISH: ALUM.; ANODIZE, CRES PARTS; PASSIVATE.
3. DECORATIVE FINISH: TURN; BRIGHT BUFF
AND CANDY APPLE RED ANODIZE.
- 4 90° L. H. ROTATION, DETENTED AT EACH POSITION.
- 5 90° R. H. ROTATION, DETENTED AT EACH POSITION.
- 6 STATIC LOAD: TURN ASSY 600 LBS., PAWL 1200 LBS.
- 7 APPLY MEDIUM STRENGTH LOCTITE TO SETSCREW UPON INSTALLATION.



| PART NO. | DESCRIPTION | MATERIAL | SIZE | SPECIFICATION | ITEM NO. |
|----------|--------------------|----------|------|---------------|----------|
| -8 | DUAL RETAINER ASSY | 5 | | | |
| -7 | DUAL RETAINER ASSY | 4 | | | |
| -6 | DUAL RETAINER ASSY | 5 | | | |
| -5 | DUAL RETAINER ASSY | 4 | | | |
| -4 | DUAL RETAINER ASSY | 5 | | | |
| -3 | DUAL RETAINER ASSY | 4 | | | |

| PARTS LIST | | | | | |
|-------------------------------|--|---------------------------|--|-------------------|-----------------|
| UNLESS OTHERWISE SPECIFIED | | DRAWN BY T. CSIK | | 8-25-93 | |
| DIMENSIONS ARE IN INCHES | | CHECKED | | | |
| TOLERANCES ON | | ENGINEER | | | |
| DECIMALS ANGLES DRILLED HOLES | | PROJECT | | | |
| .X ± .1 ± 0° 30' AND 10387 | | APPROVAL T. CSIK | | 8-25-93 | |
| .XX ± .03 | | APPROVAL | | | |
| .XXX ± .010 | | DO NOT SCALE THIS DRAWING | | | |
| MATERIAL - FINISH | | USED ON | | SIZE | CODE IDENT. NO. |
| NEXT ASSY | | | | C | 51941 |
| FINAL ASSY | | | | DRAWING NO. 20854 | |
| | | | | REV. | NC |
| | | | | SCALE 2:1 | WT. |
| | | | | SHEET 1 OF 1 | |



DUAL RETAINER ASSY