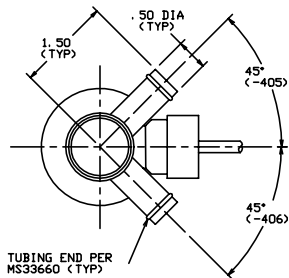
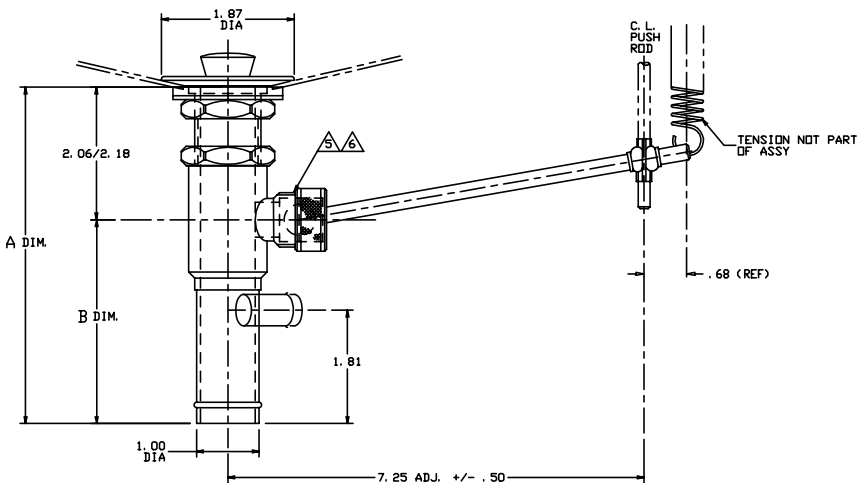


THE INFORMATION AND DESIGN HEREIN HAS BEEN PREPARED BY AND IS THE PROPERTY OF SKYLOCK INDUSTRIES INCORPORATED. SKYLOCK INDUSTRIES INCORPORATED RESERVES ALL RIGHTS, PROPRIETARY, DESIGN, MANUFACTURING, REPRODUCTION, USE AND SALES RIGHTS HEREIN, AND TO ANY ARTICLE DISCLOSED THEREIN EXCEPT TO THE EXTENT RIGHTS ARE EXPRESSLY GRANTED TO OTHERS. THIS WARNING DOES NOT APPLY TO VENDOR PROPRIETARY PARTS.

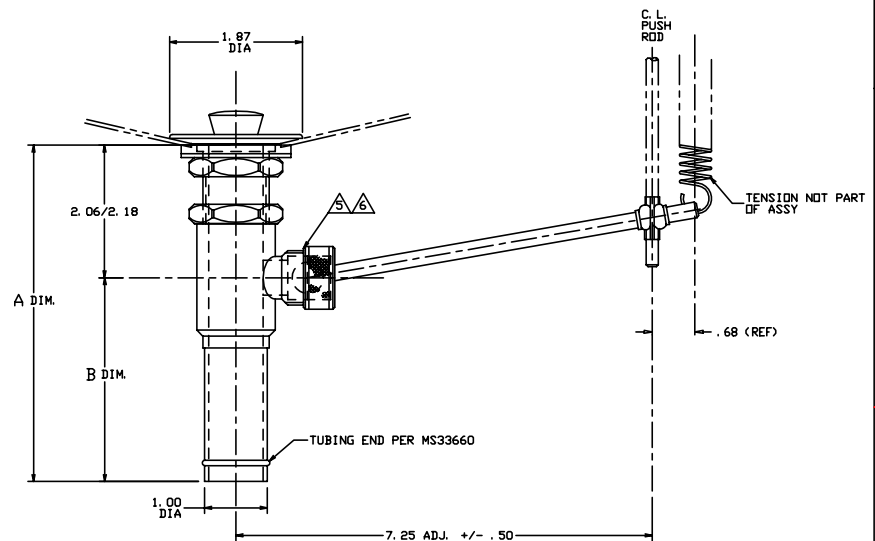
NOTES: UNLESS OTHERWISE SPECIFIED

1. REMOVE ALL BURRS AND SHARP EDGES
 2. MATERIAL: SINK FLANGE, BODY, DRAIN TUBE, ACTUATING ROD, AND POPPET (CRES); SEALS AND GASKETS (RUBBER); ACTUATING BALL AND HOUSING (NYLON)
 3. FINISH: ALL VISIBLE SURFACES SHALL BE SATIN BRUSHED
 4. ACCEPTABLE SEAL LEAKAGE RATE IS 5 DROPS PER MINUTE AT 2.00 INCHES HEAD OF WATER.
- ⚠ AT INSTALLATION, ADJUST THREADED CAP TO ALLOW FREE MOVEMENT OF ACTIVATOR ROD. OVERTIGHTENING OF THE CAP WILL PREVENT PROPER CLOSURE OF THE POPPET, AND CAUSE AN UNACCEPTABLE LEAKAGE RATE.
- ⚠ AT INSTALLATION, APPLY A SERVICE REMOVABLE THREAD LOCKING COMPOUND AT NOTED LOCATION TO SECURE THE THREADED CAP, AND TO ELIMINATE UNWANTED LOOSENING OF THE CAP DUE TO VIBRATION.

REVISIONS:			DATE	APPROVED
ZONE	LTR	DESCRIPTION		
K		ADDED -411, SHT. 3	10-24-94	T. C.
L		ADDED G/N 4, ⚠ & ⚠ PER CUSTOMER REQUEST.	5-12-96	T. C.



-405, -406 DRAIN ASSY SHOWN



-401, -403 DRAIN ASSY SHOWN

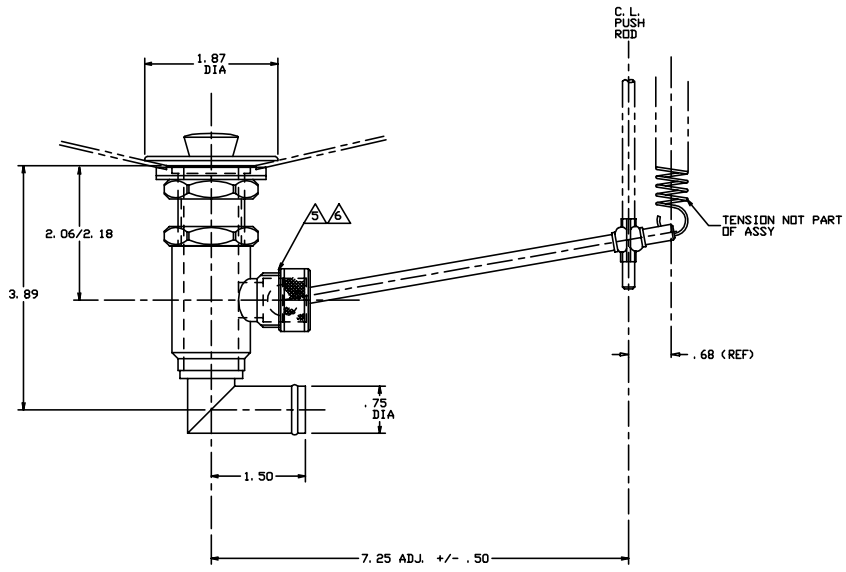
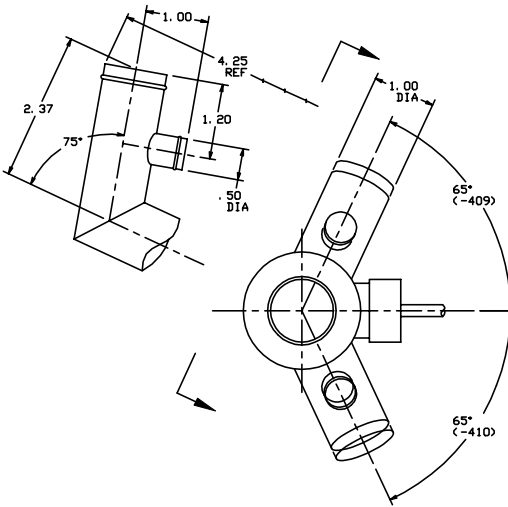


SINK-DRAIN CUTOUT

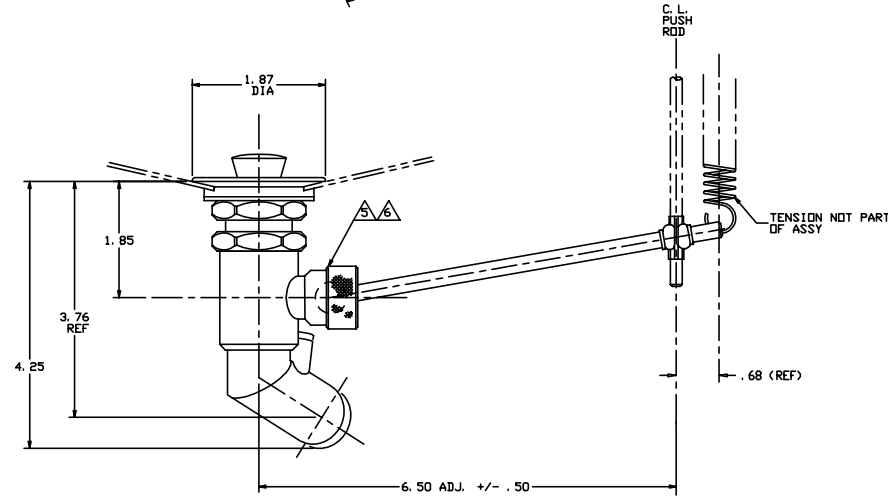
-	-	-411	DRAIN ASSY	(SEE SHT. 3)		
-	-	-410	DRAIN ASSY	(SEE SHT. 2)		
-	-	-409	DRAIN ASSY	(SEE SHT. 2)		
-	-	-407	DRAIN ASSY	(SEE SHT. 2)		
5.37	3.25	-406	DRAIN ASSY	(WITH OVERFLOW CONNECTOR)		
5.37	3.25	-405	DRAIN ASSY	(WITH OVERFLOW CONNECTOR)		
4.12	2.00	-403	DRAIN ASSY	(WITH OVERFLOW CONNECTOR)		
5.37	3.25	-401	DRAIN ASSY			
B REF	A	QTY REQ IN PART / IDENT NO.	DESCRIPTION	MATERIAL / SPECIFICATION	TEST	STRT

UNLESS OTHERWISE SPECIFIED DIMENSIONS ARE IN INCHES		CONTRACT NO.		SKYLOCK INDUSTRIES INCORPORATED			
REGULAR	TOLERANCES	DESIGNED BY	DATE	MENDOTA, CALIFORNIA, USA			
.125	ANGULAR	S. CSJK	11-12-90	DRAIN ASSY			
.005	OF	CHECK					
NO	NO	K. E. Y.	11-12-90				
NEXT ASSY	FINISH ASSY	DESIGN	DATE	SIZE	FROM NO.	DRAWING NO.	REV.
		S. CSJK	11-12-90	D	51941	90046	L
USED ON	DESIGN ACTIVITY	CUSTOMER		SCALE	1/1	RELEASE DATE	11-12-90
FINISH	ACT WT	CALC WT		SHEET	1	OF	3

REVISIONS				
ZONE	LN	DESCRIPTION	DATE	APPROVED
		SEE SHT. 1 FOR NOTES		



-407 DRAIN ASSY SHOWN



-409 DRAIN ASSY SHOWN
-410 DRAIN ASSY OPP.

SKYLOCK INDUSTRIES INCORPORATED
HONOLULU, CALIFORNIA, USA

DRAIN ASSY

SIZE	FIG. NO.	DRAWING NO.	REV.
D	51941	90046	L
SCALE	1/1	RELEASE DATE	SHEET 2 OF 3

4

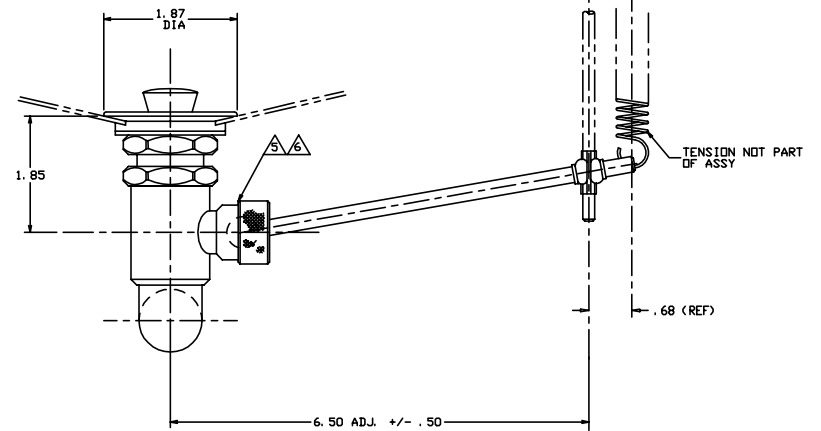
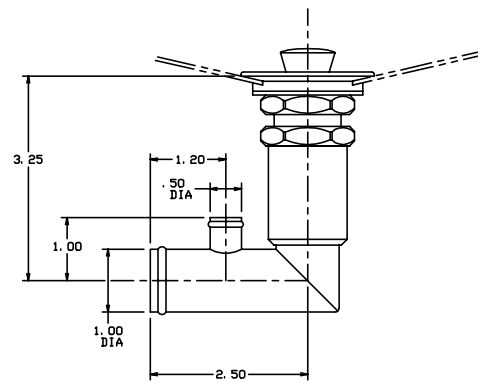
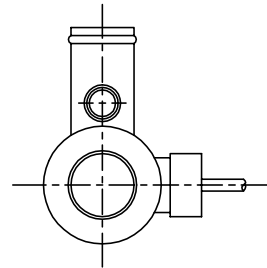
3

2

1

1

REVISIONS				
LINE	LN	DESCRIPTION	DATE	APPROVED
		SEE SHT. 1 FOR NOTES		



-411 DRAIN ASSY

SKYLCK INDUSTRIES INCORPORATED
HONOLULU, CALIFORNIA, USA

DRAIN ASSY

SIZE	FIG. NO.	DRAWING NO.	REV.
D	51941	90046	L
SCALE	1/1	RELEASE DATE	SHEET 3 OF 3