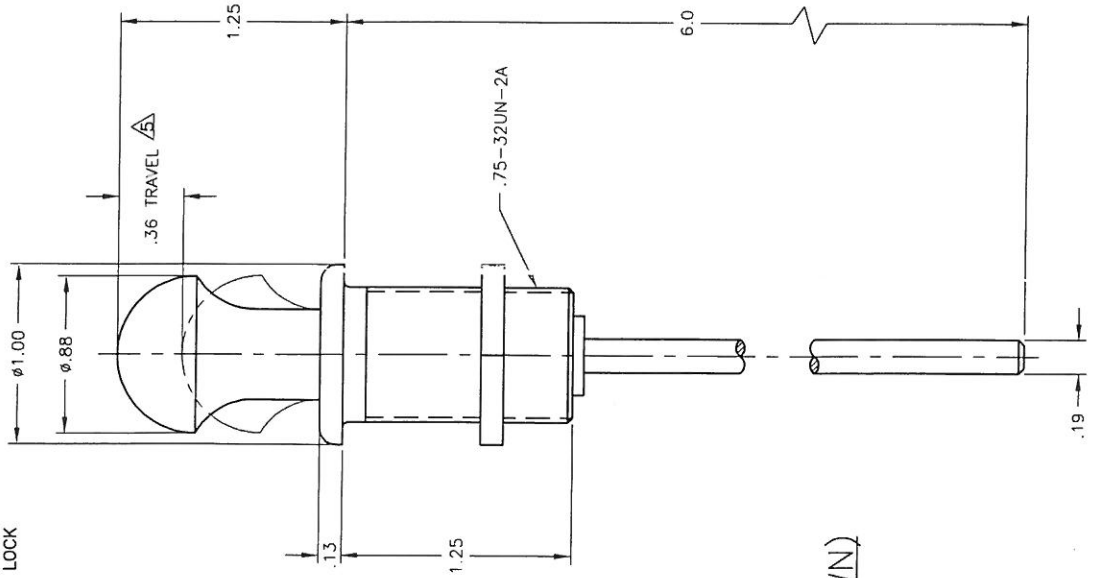


THE INFORMATION AND DESIGN HEREIN WAS ORIGINATED BY AND IS THE PROPERTY OF SKYDROCK INDUSTRIES INCORPORATED. SKYDROCK INDUSTRIES INCORPORATED MAKES NO WARRANTY, EXPRESS OR IMPLIED, AS TO THE ACCURACY, COMPLETENESS, OR FITNESS FOR ANY PARTICULAR PURPOSE. SKYDROCK INDUSTRIES INCORPORATED WILL NOT BE RESPONSIBLE FOR ANY DAMAGES, INCLUDING BUT NOT LIMITED TO, DIRECT, INDIRECT, OR CONSEQUENTIAL DAMAGES, ARISING OUT OF OR FROM THE USE OF THE INFORMATION AND DESIGN HEREIN. PERMISSION IS GRANTED TO REPRODUCE THIS DRAWING FOR THE EXCLUSIVE USE OF THE CUSTOMER WHOSE NAME APPEARS HEREON. ALL OTHER RIGHTS ARE EXPRESSLY RESERVED TO SKYDROCK INDUSTRIES INCORPORATED.

NOTES: UNLESS OTHERWISE SPECIFIED.

1. REMOVE ALL BURRS AND BREAK SHARP CORNERS.
 2. MTL: BRASS - KNOB, COLLAR, NUT. CRES - PUSH ROD, SPRING.
 3. DECORATIVE FINISH: POWDER COAT PER CD262 COLOR PANTONE NO.422M (GREY) FINE TEXTURE 10% GLOSS VISIBLE SURFACES AS DEFINED ON CUSTOMER PURCHASE ORDER. CUSTOMER WILL PROVIDE POWDER COAT MATERIAL, AND DEFINE SOURCE FOR PROCESSING.
 4. ALL DIMENSIONS BEFORE POWDER COATING.
- LOCITE TO BE APPLIED FOR THREAD LOCK TO FIX .36 TRAVEL



-1 (SHOWN)

LR	DESCRIPTION	DATE	APPROVED
NC	PRODUCTION RELEASE	8/6/97	T.C.
A	SEE ECN A	1/11/07	A.M.J.
B	SEE ECN B	1/10/08	A.M.J.
C	SEE ECN C	2/28/08	A.M.J.
D	SEE ECN D	3/28/08	A.M.J.
E	SEE ECN E	2/18/10	A.M.J.

ITEM NO.	PART NO.	TITLE	MAKE FROM
90094-5		DRAIN ACTUATOR	
90094-3		DRAIN ACTUATOR	
90094-1		DRAIN ACTUATOR	

UNLESS OTHERWISE SPECIFIED	THROUGH BY	T.C.	8/6/97
DIMENSIONS ARE IN INCHES	CHECKED	A.M.J.	1/11/07
TOLERANCES ON	ENGINEER	A.M.J.	1/11/07
DECIMALS	PROJECT	A.M.J.	1/11/07
XXX.X			
XXX.XX			
XXX.XXX			

SIZE	CODE IDENT. NO.	DRAWING NO.	REV.
C	51941	90094	E
SCALE 2:1			SHEET 1 OF 3
SALES DRAWING			

SKYDROCK
INDUSTRIES, INC.
904 SOUTH ALTA VISTA AVENUE MONROVIA, CA 91016
PHONE: (626) 357-5361 FAX: 358-0742

DRAIN ACTUATOR

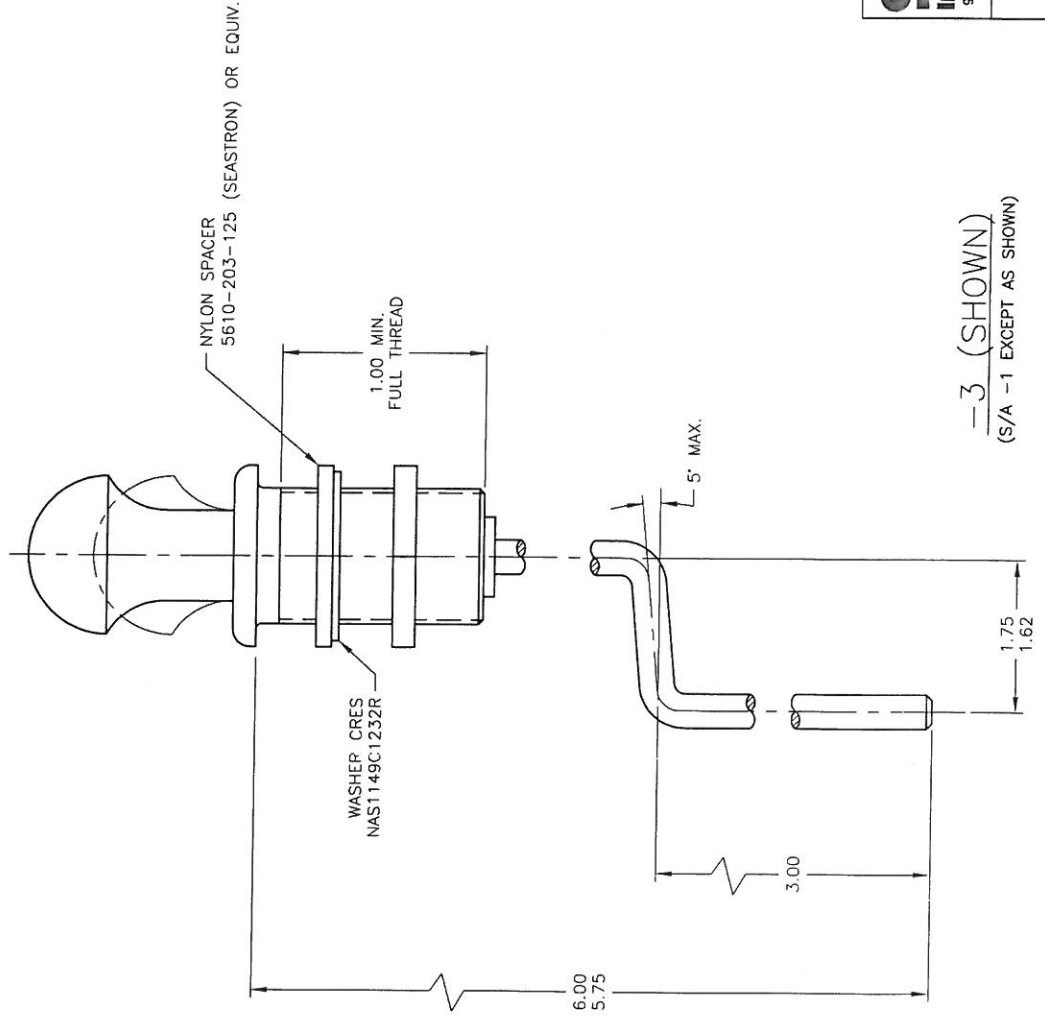
UNLESS OTHERWISE SPECIFIED	THROUGH BY	T.C.	8/6/97
DIMENSIONS ARE IN INCHES	CHECKED	A.M.J.	1/11/07
TOLERANCES ON	ENGINEER	A.M.J.	1/11/07
DECIMALS	PROJECT	A.M.J.	1/11/07
XXX.X			
XXX.XX			
XXX.XXX			

DO NOT SCALE THIS DRAWING

MATERIAL - FINISH NOTED

NOTED

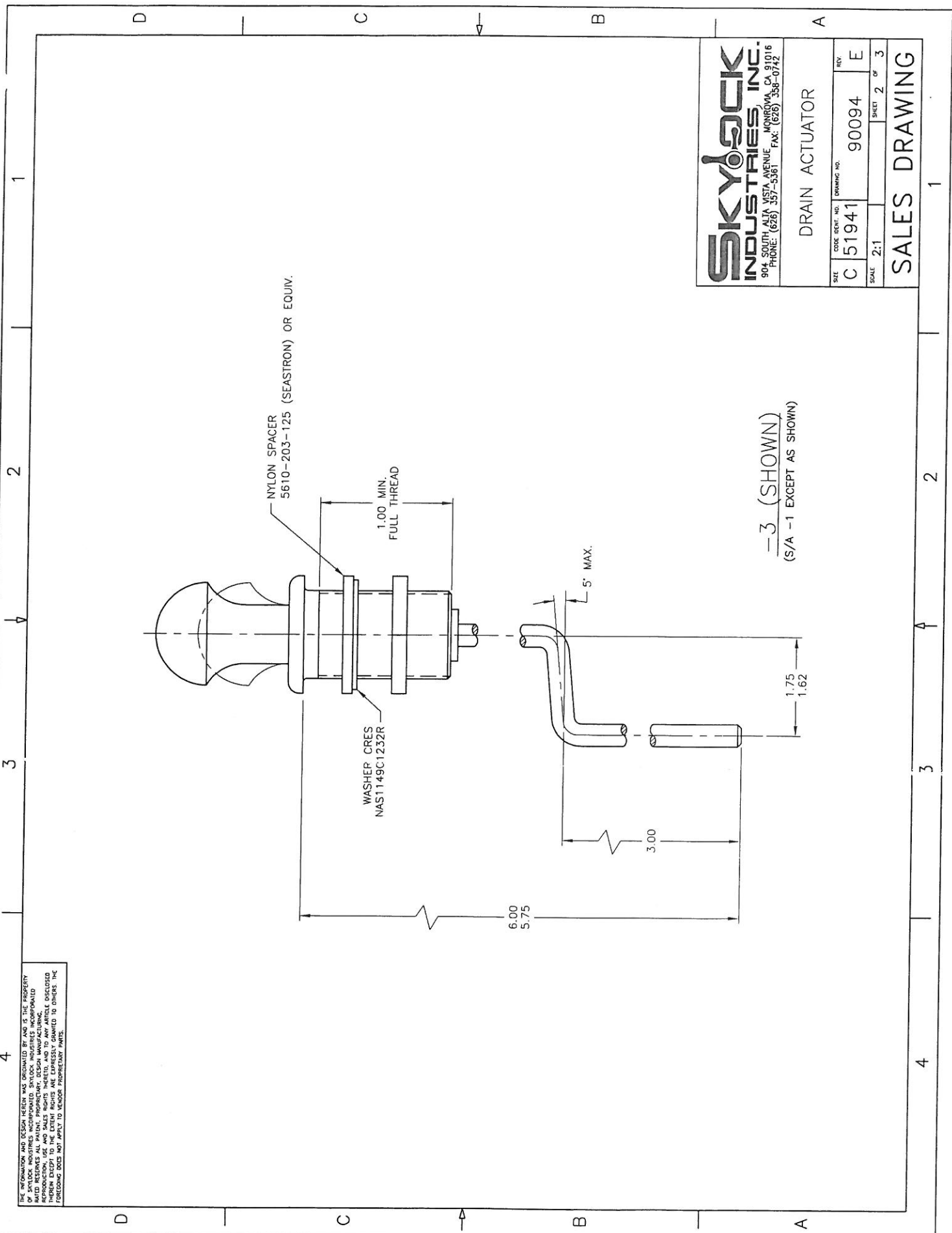
THE INFORMATION AND DESIGN HEREIN WAS ORIGINATED BY AND IS THE PROPERTY OF SKYDACK INDUSTRIES, INC. AND IS UNCLASSIFIED AND UNCONTROLLED. SKYDACK INDUSTRIES, INC. HAS REVIEWED AND APPROVED THIS INFORMATION FOR REPRODUCTION, USE AND SALES RIGHTS THEREIN, AND TO ANY ARTICLE DERIVED THEREFROM. SKYDACK INDUSTRIES, INC. DOES NOT EXPRESSLY GRANT TO OTHERS THE RIGHT TO REPRODUCE OR TRANSMIT THIS INFORMATION IN ANY FORM OR BY ANY MEANS. SKYDACK INDUSTRIES, INC. DOES NOT APPLY TO VENDOR PROSECUTORY PROCEEDINGS.



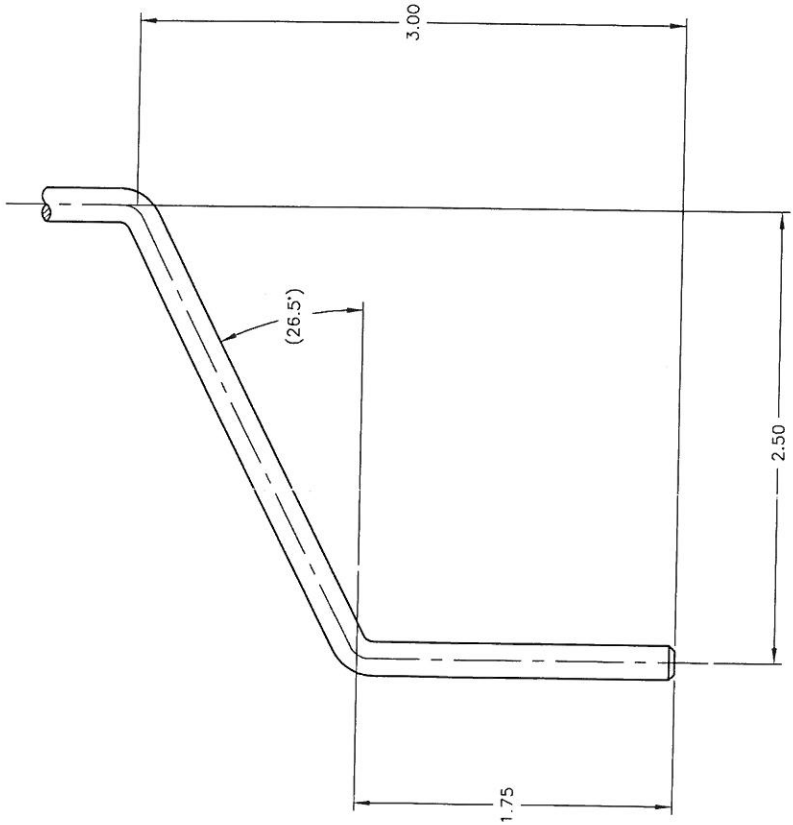
-3 (SHOWN)
(S/A -1 EXCEPT AS SHOWN)

SKYDACK INDUSTRIES, INC.
904 SOUTH ALTA VISTA AVENUE MONROVIA, CA 91016
PHONE: (626) 357-5361 FAX: (626) 358-0712

DRAIN ACTUATOR	
CODE DEPT. NO. DRAWING NO.	REV.
C 51941 90094	E
SCALE 2:1	SHEET 2 OF 3
SALES DRAWING	



THE INFORMATION AND DESIGN HEREIN WAS ORIGINATED BY AND IS THE PROPERTY OF SKYDOK INDUSTRIES, INC. AND IS NOT TO BE REPRODUCED, COPIED, REPRODUCED, OR TRANSMITTED IN ANY FORM OR BY ANY MEANS, ELECTRONIC OR MECHANICAL, INCLUDING PHOTOCOPYING, RECORDING, OR BY ANY INFORMATION STORAGE AND RETRIEVAL SYSTEM, WITHOUT THE WRITTEN PERMISSION OF SKYDOK INDUSTRIES, INC. ALL RIGHTS RESERVED. SKYDOK INDUSTRIES, INC. MAKES NO WARRANTY, EXPRESS OR IMPLIED, REGARDING THE ACCURACY, COMPLETENESS, OR SUITABILITY OF THE INFORMATION FOR ANY PARTICULAR PURPOSE. SKYDOK INDUSTRIES, INC. IS NOT RESPONSIBLE FOR ANY DAMAGES, INCLUDING CONSEQUENTIAL DAMAGES, ARISING FROM THE USE OF THIS INFORMATION. SKYDOK INDUSTRIES, INC. IS NOT RESPONSIBLE FOR ANY DAMAGES, INCLUDING CONSEQUENTIAL DAMAGES, ARISING FROM THE USE OF THIS INFORMATION.



-5 (SHOWN)
(S/A -3 EXCEPT AS SHOWN)

SKYDOK INDUSTRIES, INC.
904 SOUTH VISTA AVENUE MONROVIA, CA 91016
PHONE: (626) 357-5561 FAX: (626) 358-0742

DRAIN ACTUATOR

SIZE	CODE	REV.
C	51941	90094
SCALE	SHEET 3 OF 3	
2:1	SALES DRAWING	