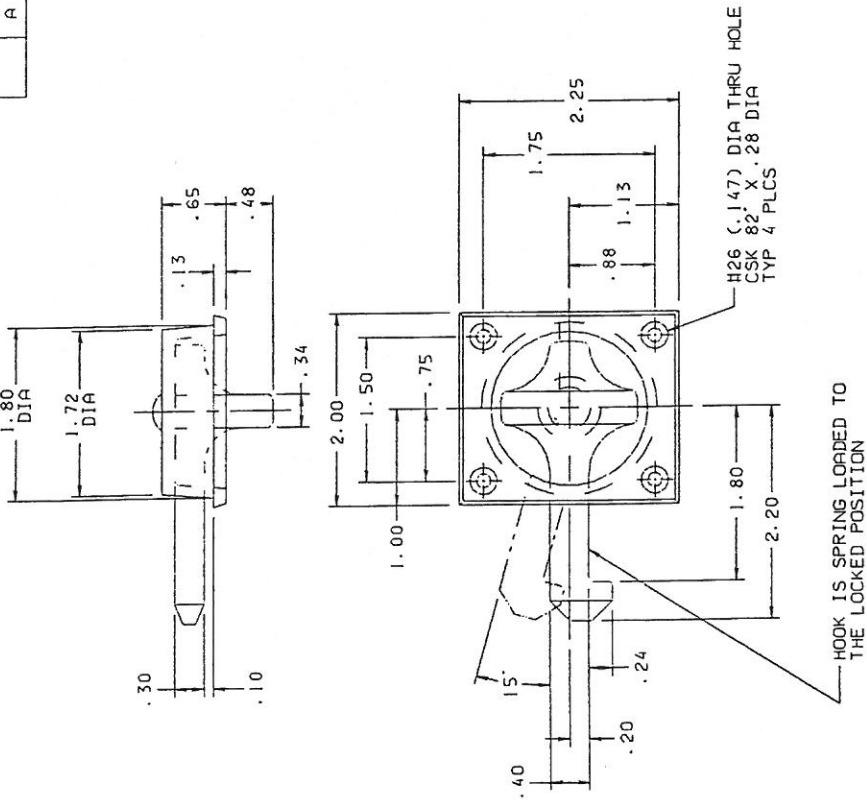


ALL DIMENSIONS ARE IN INCHES UNLESS OTHERWISE SPECIFIED BY THE PRO-
 DUCT DRAWING. THE INFORMATION CONTAINED HEREIN IS THE PROPERTY OF SKYLOCK INDUSTRIES INCORPORATED. SKYLOCK INDUSTRIES INCORPORATED
 MAKES NO WARRANTY, REPRESENTATION, OR AGREEMENT, EXPRESS OR IMPLIED, REGARDING THE ACCURACY, COMPLETENESS, OR USE OF THE INFORMATION CONTAINED
 HEREIN. THE INFORMATION IS PROVIDED AS IS. SKYLOCK INDUSTRIES INCORPORATED, 10000 S. RAYBURN AVENUE, MONROVIA, CA 91011
 REPRODUCTION, SALE AND SALES PROMOTION RIGHTS, AND TO ANY PARTS DISCLOSED
 HEREIN ARE RESERVED. ALL RIGHTS ARE RESERVED. THIS DRAWING IS THE PROPERTY OF SKYLOCK INDUSTRIES INCORPORATED. ALL RIGHTS ARE RESERVED.
 REFERENCE TO THIS DRAWING IS LIMITED TO SKYLOCK INDUSTRIES INCORPORATED.

- NOTES: UNLESS OTHERWISE SPECIFIED.
1. REMOVE ALL BURRS AND BREAK SHARP EDGES.
 2. MAT'L: 300 SERIES CRES.
 3. FINISH: SATIN BRUSH.



-1 HOOK LATCH (SHOWN)
 -2 HOOK LATCH (OPP. -1)

REVISIONS			DATE	APPROVED
ZONE	LN	DESCRIPTION		
	NC	PRODUCTION RELEASE	10-25-96	T. CSJK
	A	ADDED -2	5-27-97	T. CSJK

PART NO.	DESCRIPTION	MATERIAL	SIZE SPECIFICATION	ITEM NO.
-2	HOOK LATCH	(OPP. -1)		
-1	HOOK LATCH	(VIA RAIL H428945)		

PARTS LIST		DRAWN BY T. CSJK		10-25-96
UNLESS OTHERWISE SPECIFIED	DIMENSIONS ARE IN INCHES	CHECKED	ENGINEER	
HOLE PLACES ON	DRILLED HOLES	PROJECT	APPROVAL T. CSJK	10-25-96
SKYLOCK INDUSTRIES INCORPORATED	MONROVIA CALIFORNIA U.S.A.	DO NOT SCALE THIS DRAWING	USED ON	
		MATERIAL - FINISH	NETT ASBY	
		FINISH: 303V		

SIZE	CODE IDENT. NO.	DRAWING NO.	REV.
C	51941	20924	A

SCALE	1:1	SHEET	OF