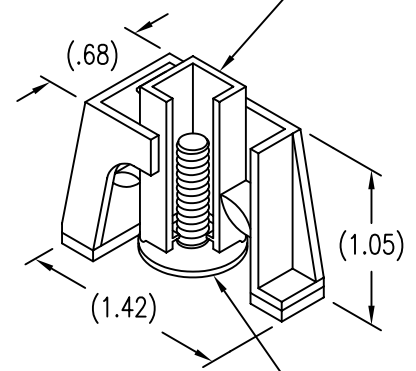
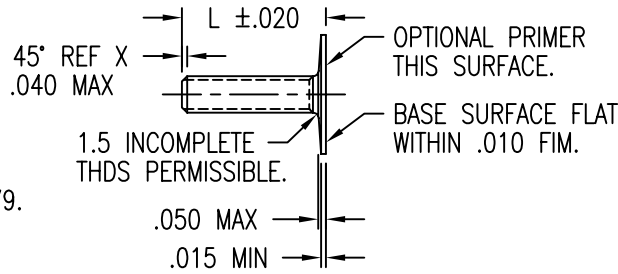
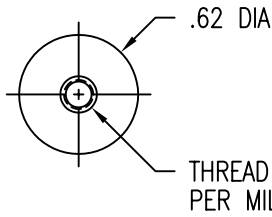


STUD STRAIGHT WITHIN .004 INCH PER INCH OF LENGTH.
 PITCH DIAMETER CONCENTRIC WITH BASE O.D. WITHIN .020 FIM.
 PITCH DIAMETER PERPENDICULAR TO BASE WITHIN ±1 DEG.

DISPOSABLE PRESSURE SENSITIVE
 ADHESIVE FIXTURE HOLDS STUD
 WHILE ADHESIVE CURES.



SURFACE TEXTURE: ROOT RADIUS AND THREAD FLANKS
 32 MICROINCHES. OTHER SURFACES 125 MICROINCHES.
 GRIT BLASTED SURFACES 125 TO 250 MICROINCHES.

STUD ATTACHED BY ADHESIVE
 APPLIED TO THIS SURFACE.

LENGTH L DATA (LENGTH L IN SIXTEENTHS OF AN INCH)

CODE	4	6	8	10	12	14	16	18	20	22	24
L	.250	.375	.500	.625	.750	.875	1.000	1.125	1.250	1.375	1.500

MATERIAL AND FINISH DATA

CODE	STUD MATERIAL	SPEC.	FINISH	SPEC.
A	2024 OR 7075	QQ-A-200, QQ-A-225, OR QQ-A-250	NONE	
AA	ALUMINUM		ANODIZE	MIL-A-8625
CR	302, 303, 304 CRES OR A-286 CRES	AMS 5513, 5516, 5636, 5637, 5638, 5639, 5640, 5641, OR 5647 AMS 5525, 5726, 5731, 5732, 5734, OR 5737 (CHEMISTRY ONLY)	PASSIVATE	QQ-P-35
CRA	A-286 CRES	AMS 5525, 5726, 5731, 5732, 5734, OR 5737 (CHEMISTRY ONLY)	PASSIVATE	QQ-P-35
T	6AL-4V TITANIUM	AMS 4911, 4928, 4965, OR 4967	NONE	

THREAD T DATA

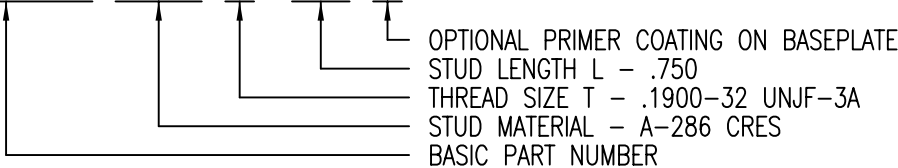
CODE	THREAD SIZE
06	.1380-32 UNJC-3A
08	.1640-32 UNJC-3A
3	.1900-32 UNJF-3A
4	.2500-28 UNJF-3A

OPTIONAL PRIMER

CODE	BASEPLATE PRIMER	SPEC.
P	EPOXY PRIMER	MIL-P-85582
W	FILM PRIMER	CBPS-211

EXAMPLE PART NUMBER

CB5000 CRA 3-12 P



UNLESS OTHERWISE SPECIFIED, ALL DIMENSIONS ARE
 IN INCHES AND TOLERANCES ARE AS SHOWN BELOW.
 DIMENSIONAL TOLERANCES AND SYMBOLS PER ANSI
 Y14.5M-1982.

PROPRIETARY PARTS SHOWN IN THIS DRAWING ARE THE SUBJECT
 OF ISSUED UNITED STATES AND FOREIGN PATENTS AND PATENTS
 PENDING.
 UNAUTHORIZED REPRODUCTION AND/OR DISTRIBUTION OF THIS
 DRAWING IS SPECIFICALLY PROHIBITED.

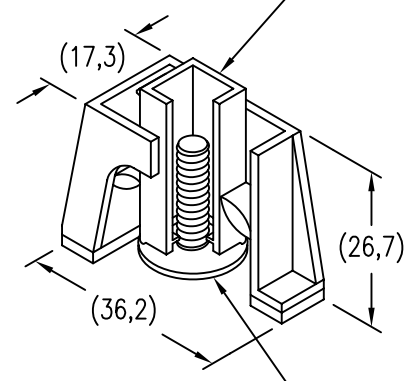
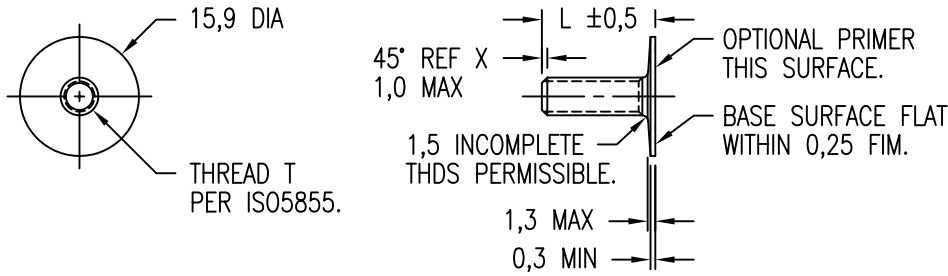
GLICK BOND

CARSON CITY
 NEVADA 89706

CAD CB5000-1		APPROVALS		DATE	TITLE			
ANGLES	±1°	DRAWN	BSP	6NOV00	STUD, SMALL BASE, ADHESIVE BONDED			
.XX	±.03	CHECKED	DAC	9NOV00	SIZE	CAGE CODE	DWG. NO.	REV.
.XXX	±.010	RELEASED	CGH	16NOV00	A	66530	CB5000	17
.XXXX	±.001	REVISED	BSP	6NOV00	SCALE	1/1	6NOV00	SHEET 1 OF 2

STUD STRAIGHT WITHIN 0,04 MM PER CM OF LENGTH.
 PITCH DIAMETER CONCENTRIC WITH BASE O.D. WITHIN 0,5 FIM.
 PITCH DIAMETER PERPENDICULAR TO BASE WITHIN ±1 DEG.

DISPOSABLE PRESSURE SENSITIVE
 ADHESIVE FIXTURE HOLDS STUD
 WHILE ADHESIVE CURES.



SURFACE TEXTURE: ROOT RADIUS AND THREAD FLANKS
 0,8 MICROMETERS. OTHER SURFACES 3,2 MICROMETERS.
 GRIT BLASTED SURFACES 3,2 TO 6,3 MICROMETERS.

STUD ATTACHED BY ADHESIVE
 APPLIED TO THIS SURFACE.

LENGTH L DATA (LENGTH L IN MILLIMETERS)

CODE	6M	8M	10M	12M	15M	20M	25M	30M	35M
L	6	8	10	12	15	20	25	30	35

MATERIAL AND FINISH DATA

CODE	STUD MATERIAL	SPEC.	FINISH	SPEC.
A	2024 OR 7075	QQ-A-200, QQ-A-225, OR QQ-A-250	NONE	
AA	ALUMINUM		ANODIZE	MIL-A-8625
CR	302, 303, 304 CRES OR A-286 CRES	AMS 5513, 5516, 5636, 5637, 5638, 5639, 5640, 5641, OR 5647 AMS 5525, 5726, 5731, 5732, 5734, OR 5737 (CHEMISTRY ONLY)	PASSIVATE	QQ-P-35
CRA	A-286 CRES	AMS 5525, 5726, 5731, 5732, 5734, OR 5737 (CHEMISTRY ONLY)	PASSIVATE	QQ-P-35
T	6AL-4V TITANIUM	AMS 4911, 4928, 4965, OR 4967	NONE	

THREAD T DATA

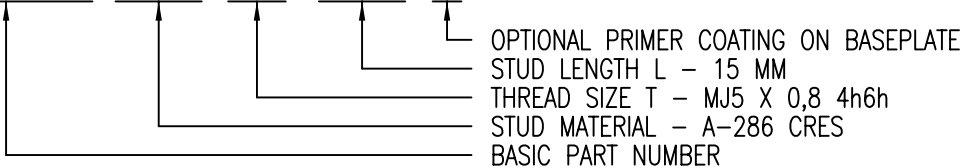
CODE	THREAD SIZE
3M	MJ3 X 0,5 4h6h
4M	MJ4 X 0,7 4h6h
5M	MJ5 X 0,8 4h6h
6M	MJ6 X 1,0 4h6h

OPTIONAL PRIMER

CODE	BASEPLATE PRIMER	SPEC.
P	EPOXY PRIMER	MIL-P-85582
W	FILM PRIMER	CBPS-211

EXAMPLE PART NUMBER

CB5000 CRA 5M 15M P



UNLESS OTHERWISE SPECIFIED, ALL DIMENSIONS ARE
 IN MILLIMETERS AND TOLERANCES ARE AS SHOWN
 BELOW. DIMENSIONAL TOLERANCES AND SYMBOLS
 PER ANSI Y14.5M-1982.

PROPRIETARY PARTS SHOWN IN THIS DRAWING ARE THE SUBJECT
 OF ISSUED UNITED STATES AND FOREIGN PATENTS AND PATENTS
 PENDING. UNAUTHORIZED REPRODUCTION AND/OR DISTRIBUTION OF THIS
 DRAWING IS SPECIFICALLY PROHIBITED.

GLICK BOND

CARSON CITY
 NEVADA 89706

CAD CB5000-2 METRIC DIMENSIONS	
ANGLES	±1°
.X	±0,8
.XX	±0,25

APPROVALS	DATE
DRAWN BSP	14NOV00
CHECKED DAC	14NOV00
RELEASED CGH	16NOV00
REVISED BSP	14NOV00

TITLE STUD, SMALL BASE, ADHESIVE BONDED			
SIZE A	CAGE CODE 66530	DWG. NO. CB5000 (METRIC)	REV. 17
SCALE 1/1	14NOV00	SHEET 2	OF 2