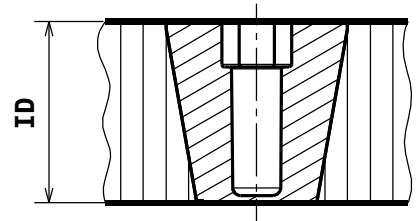
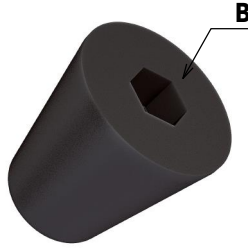
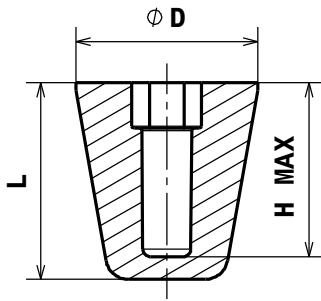


EJOT TSSD® Z002



DIMENSION DATA (DIMENSIONS IN INCH, BRACKETS ARE IN MILLIMETER, MASS IN GRAM)

CODE	D	L	H MAX	ID	MASS	SCREW (N=0,1,2)	TOOLING
01	.472 (12.0)	.443 (13.0)	.433 (11.0)	.433 (11.0)	1.18	Z11N11XXXX	T-Z002-01
02	.472 (12.0)	.443 (13.0)	.433 (11.0)	.433 (11.0)	1.24	Z11N13XXXX	T-Z002-02

POLYMER MATERIAL

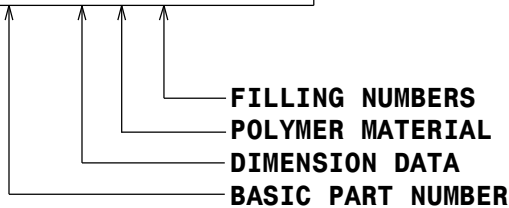
CODE	MATERIAL	TRADE NAME	COLOR	SPEC.
1	PA66 GF35	AKROLOY PA K17 BLACK (5762)	BLACK	-

NOTES:

- INSIDE HOLE GEOMETRIES ALIGNED FOR SELF-TAPPING SCREWS.
- A RECOMMENDATION FOR SELF-TAPPING SCREWS IS GIVEN IN THE TABLE FOR DIMENSION DATA.
- TOLERANCES OF D AND L: D= ±.01 (±0.25)
L= ±.02 (±0.5)
- SELECT A SCREW WHICH LEAVES ENOUGH CLEARANCE TO THE BOTTOM OF THE FASTENING ELEMENT. THE LETTERS 'X' ARE CHOSEN DEPENDENT OF LENGTH AND MATERIALS CHOICE OF SCREW.
- DIMENSION IN INCH UNLESS VALUES IN BRACKETS ARE IN MILLIMETER. DIMENSION OF MASS IS GRAM.
- LABEL 'B' (GEOMETRY FOR INSTALLATION TOOL) IS AT THE DISCRETION OF THE MANUFACTURER.
- THE MASS APPLIES TO THE UNINSTALLED PRODUCT AND IS EXTRACTED FROM THE CAD-MODEL.
- ID IS A RECOMMENDATION FOR AN OPTIMIZED SCREW JOINT. THE INSTALLATION DEPTH CAN BE LESS THAN ID WITH A DECREASE OF H MAX. THE PIN OF THE INSTALLATION TOOL HAS TO BE MODIFIED.
- THE DATASHEET DOES NOT REPLACE ORIGINAL SINGLE PART DRAWINGS.

EXAMPLE PART NUMBER

Z002 01 1 000



FOR THIS DRAWING WE RESERVE ALL RIGHT. WITHOUT OUR PERMISSION IT MAY NEITHER BE COPIED NOR MADE ACCESSIBLE TO THIRD PERSONS. ALL PATENT, TRADEMARK AND OTHER RIGHT IN AND TO THIS DRAWING AND DESIGN ARE EXPRESSLY RESERVED BY EJOT.

ISSUE	MODIFICATION BY CAD ONLY			DATE	CHANGED
CONSTRUCTED	28.08.17	N.Mueller	TITLE	GENERAL PLASTIC TOLERANCES DIN 16742-TG6 DIMENSIONS IN INCH (MM)	
DRAWN	28.08.17	N.Mueller	EJOT TSSD® WITHOUT HEAD FOR SELF TAPPING SCREWS		
APPROVED	28.08.17	D.Kittel			
EJOT®	CAD SYSTEM CATIA V5 R24	DOCUMENT NO. EJOT 6170131	PRODUCT GROUP Z002	VERSION 00	SCALE 2:1
				ORIGINAL A4	