

THREAD AND DIMENSION DATA (ALL DIMENSIONS BEFORE PAINT)

CODE	THREAD SIZE	A MAX	B MAX	D MIN	E MIN	H MAX	R MIN	U MAX	LB/100 *
04	.1120-40 UNJC-3B	.651	.315	-	.152	.153	-	.152	.14
06	.1380-32 UNJC-3B	.682	.357	-	.178	.171	-	.178	.17
08	.1640-32 UNJC-3B	.707	.367	.168	.204	.250	.062	.204	.30
3	.1900-32 UNJF-3B	.739	.416	.194	.230	.250	.062	.230	.36
4	.2500-28 UNJF-3B	.801	.500	.254	.290	.281	.062	.290	.60
5	.3125-24 UNJF-3B	1.010	.581	.317	.352	.328	.062	.352	1.14

* APPROXIMATE WEIGHT WITHOUT INSTALLATION FIXTURE.

NUT MATERIAL AND FINISH DATA

CODE	NUT MATERIAL	SPEC.	FINISH	SPEC.	DRI-FILM LUBE
-	A-286 CRES	AMS 5525, 5726, 5731, 5732, 5734, 5737	PASSIVATE	QQ-P-35	MIL-L-46010 TY 1
CRC	A-286 CRES	AMS 5525, 5726, 5731, 5732, 5734, 5737	CAD PLATE	QQ-P-416	MIL-L-46010 TY 1

BASEPLATE MATERIAL AND FINISH DATA

CODE	BASEPLATE MATERIAL	SPEC.	FINISH	SPEC.
CR	A-286 CRES	AMS 5525	PASSIVATE	QQ-P-35

PRIMER ON BASEPLATE

CODE	BASEPLATE PRIMER	SPEC.
NONE		
P	EPOXY PRIMER	MIL-P-85582

EXAMPLE PART NUMBER

CB6014 CR 4 - 1 P

PROCUREMENT SPECIFICATION: NASM25027

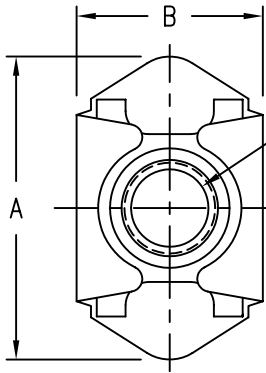
PRIMER ON BASEPLATE
 THREAD RELIEF R - .062 MIN
 NUT MATERIAL - A-286 CRES, DRI-FILM LUBE
 THREAD SIZE T - .2500-28 UNJF-3B
 BASEPLATE MATERIAL - A-286 CRES
 BASIC PART NUMBER

UNLESS OTHERWISE SPECIFIED, ALL DIMENSIONS ARE IN INCHES AND TOLERANCES ARE AS SHOWN BELOW. DIMENSIONAL TOLERANCES AND SYMBOLS PER ANSI Y14.5M-1982.

PROPRIETARY PARTS SHOWN IN THIS DRAWING ARE THE SUBJECT OF ISSUED UNITED STATES AND FOREIGN PATENTS AND PATENTS PENDING. UNAUTHORIZED REPRODUCTION AND/OR DISTRIBUTION OF THIS DRAWING IS SPECIFICALLY PROHIBITED.

GLICK BOND CARSON CITY NEVADA 89706

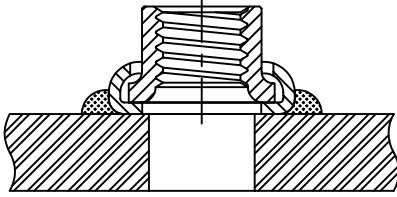
CAD CB6014-1		APPROVALS	DATE	TITLE		
ANGLES	±1°	DRAWN	DAC	NUTPLATE, MINIATURE, FLOATING		
.XX	±.03	CHECKED	DAC/John	SIZE	CAGE CODE	DWG. NO.
.XXX	±.010	RELEASED	DAC/John	A	66530	CB6014
.XXXX	±.001	REVISED	DAC	SCALE	2/1	170CT03
						REV.
						7
						SHEET 1 OF 2



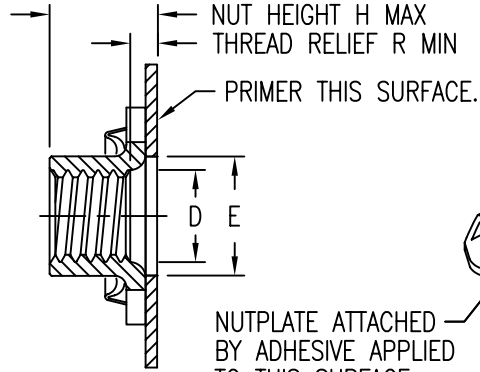
THREAD T PER ISO5855.

RADIAL FLOAT OF NUT ELEMENT 0,50 MIN FROM CENTER. NUT CAN ENGAGE SCREW FROM MAX MISALIGNED POSITION.

NUTPLATE MEETS THE STRENGTH REQUIREMENTS OF ISO5858. THREAD LOCK PER ISO5858.



U INSTALLATION HOLE DIA



NUT HEIGHT H MAX
THREAD RELIEF R MIN

PRIMER THIS SURFACE.

NUTPLATE ATTACHED BY ADHESIVE APPLIED TO THIS SURFACE.

DISPOSABLE ELASTIC FIXTURE HOLDS NUTPLATE WHILE ADHESIVE CURES.

THREAD AND DIMENSION DATA (ALL DIMENSIONS BEFORE PAINT)

CODE	THREAD T	A MAX	B MAX	D ±0,1	E MIN	H MAX	R MIN	U MAX	GRAMS *
4M	MJ4 X 0,7 4H6H	18,0	9,4	4,2	5,0	5,1	1,3	5,0	1,4
5M	MJ5 X 0,8 4H6H	18,8	10,6	5,2	6,0	6,1	1,3	6,0	1,6
6M	MJ6 X 1,0 4H5H	20,4	12,7	6,2	7,0	6,8	1,3	7,0	2,8
8M	MJ8 X 1,0 4H5H	25,7	14,8	8,2	9,0	8,2	1,3	9,0	5,2

* APPROXIMATE WEIGHT WITHOUT INSTALLATION FIXTURE.

NUT MATERIAL AND FINISH DATA

CODE	NUT MATERIAL	SPEC.	FINISH	SPEC.	DRI-FILM LUBE
NONE	A-286 CRES	AMS 5525, 5726, 5731, 5732, 5734, 5737	PASSIVATE	QQ-P-35	MIL-L-46010 TY 1
CRC	A-286 CRES	AMS 5525, 5726, 5731, 5732, 5734, 5737	CAD PLATE	QQ-P-416	MIL-L-46010 TY 1

BASEPLATE MATERIAL AND FINISH DATA

CODE	BASEPLATE MATERIAL	SPEC.	FINISH	SPEC.
CR	A-286 CRES	AMS 5525	PASSIVATE	QQ-P-35

PRIMER ON BASEPLATE

CODE	BASEPLATE PRIMER	SPEC.
NONE	EPOXY PRIMER	MIL-P-85582
P		

EXAMPLE PART NUMBER

CB6014 CR 6M 1 P

ADDITIONAL REQUIREMENTS:

NUT ELEMENT MEETS THE REQUIREMENTS OF ISO5858 (900 MPa).

- PRIMER ON BASEPLATE
- THREAD RELIEF R - 1,3 MIN
- NUT MATERIAL - A-286 CRES, DRI-FILM LUBE
- THREAD SIZE T - MJ6 X 1,0 4H5H
- BASEPLATE MATERIAL - A-286 CRES
- BASIC PART NUMBER

UNLESS OTHERWISE SPECIFIED, ALL DIMENSIONS ARE IN MILLIMETERS AND TOLERANCES ARE AS SHOWN BELOW. DIMENSIONAL TOLERANCES AND SYMBOLS PER ANSI Y14.5M-1982.

PROPRIETARY PARTS SHOWN IN THIS DRAWING ARE THE SUBJECT OF ISSUED UNITED STATES AND FOREIGN PATENTS AND PATENTS PENDING. UNAUTHORIZED REPRODUCTION AND/OR DISTRIBUTION OF THIS DRAWING IS SPECIFICALLY PROHIBITED.

GLICK BOND

CARSON CITY
NEVADA 89706

CAD CB6014-2 METRIC DIMENSIONS	
ANGLES	±1°
.X	±0,8
.XX	±0,25

APPROVALS	DATE
DRAWN DAC	17OCT03
CHECKED <i>[Signature]</i>	17OCT03
RELEASED <i>[Signature]</i>	17OCT03
REVISED DAC	17OCT03

TITLE NUTPLATE, MINIATURE, FLOATING			
SIZE	CAGE CODE	DWG. NO.	REV.
A	66530	CB6014 (METRIC)	7
SCALE	2/1 17OCT03		SHEET 2 OF 2