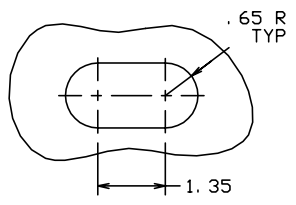


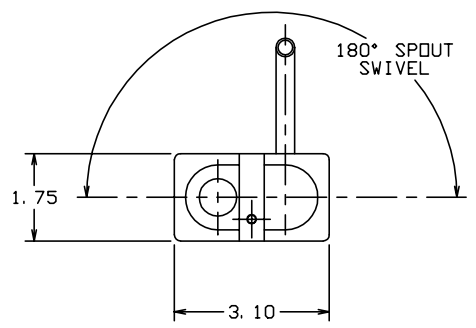
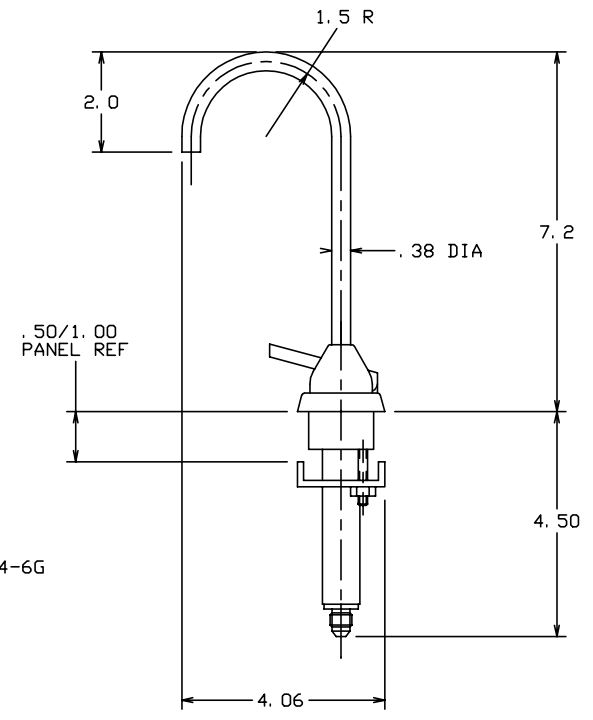
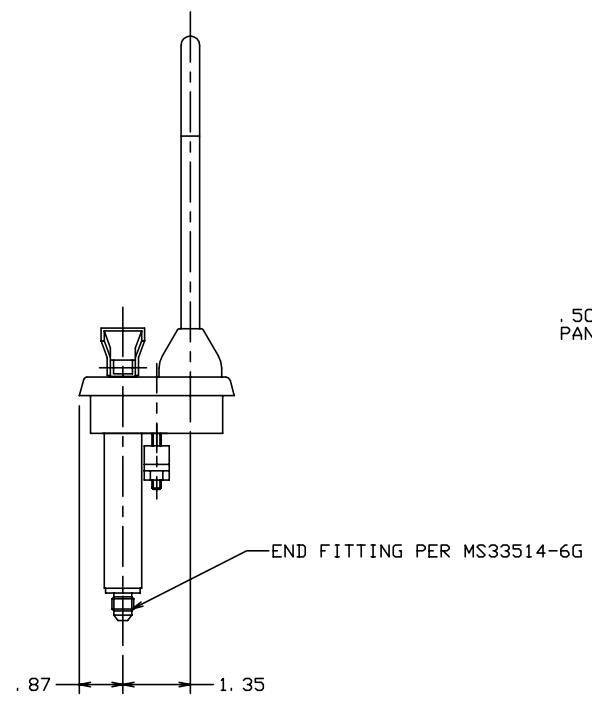
THE INFORMATION AND DESIGN HEREIN WAS ORIGINATED BY AND IS THE PROPERTY OF SKYLOCK INDUSTRIES INCORPORATED. SKYLOCK INDUSTRIES INCORPORATED RESERVES ALL PATENT, PROPRIETARY, DESIGN MANUFACTURING, REPRODUCTION, USE AND SALES RIGHTS THERE TO, AND TO ANY ARTICLE DISCLOSED THEREIN EXCEPT TO THE EXTENT RIGHTS ARE EXPRESSLY GRANTED TO OTHERS. THE FOREGOING DOES NOT APPLY TO VENDOR PROPRIETARY PARTS.


REVISIONS				
ZONE	LTR	DESCRIPTION	DATE	APPROVED
	NC	PRODUCTION RELEASE	9-28-92	T. CSIK

- NOTES: UNLESS OTHERWISE SPECIFIED.
- MAT'L: SPOUT, HOUSING, HANDLE; BRASS, VALVE ASSY; CRES.
  - DECORATIVE FINISH: SATIN CHROME PLATE APPEARANCE SURFACES.



PANEL CUTOUT



-401 SWIVEL FAUCET ASSY					
QTY REQD	PART NO.	DESCRIPTION	MATERIAL	SIZE	SPECIFICATION
PARTS LIST					
UNLESS OTHERWISE SPECIFIED		DRAWN BY	T. CSIK	9-28-92	 SKYLOCK INDUSTRIES INCORPORATED MONROVIA CALIFORNIA U. S. A.
DIMENSIONS ARE IN INCHES		CHECKED			
TOLERANCES ON		ENGINEER			
DECIMALS ANGLES DRILLED HOLES		PROJECT			
.X ± .1 ± 0° 30' AND 10387		APPROVAL	T. CSIK	9-28-92	SWIVEL FAUCET ASSY
.XX ± .03		APPROVAL			
.XXX ± .010					
DO NOT SCALE THIS DRAWING					
MATERIAL - FINISH		USED ON	SIZE	CODE IDENT. NO.	DRAWING NO.
			C	51941	90063
NEXT ASSY					REV. NC
FINAL ASSY			SCALE	1/2	VT. SHEET 1 OF 1