

- NOTES:
1. BASEPLATE MINIMUM LENGTH $S = .50$.
 2. OVERALL MINIMUM LENGTH $L = S + T$ MIN.
 3. STUD SUPPLIED WITH ELECTRICAL GROUNDING SCREW INSTALLED IN BASEPLATE. THREADED STUD SHALL BE INSTALLED BY CUSTOMER (SEE PAGE 2).

BASEPLATE MATERIAL AND FINISH DATA

CODE	MATERIAL	SPEC.	PASSIVATE
CR	304 CRES	AMS 5513, 5639, OR 5647	AMS 2700
CRM	316 CRES	AMS 5507, 5524, 5648, 5649, 5653, OR 5907	AMS 2700

THREADED STUD MATERIAL DATA

CODE	MATERIAL	PASSIVATE
CR	18-8 CRES	AMS 2700
CRM	316 CRES	AMS 2700

COARSE THREAD T DATA

CODE	THREAD SIZE	D DIA	T MIN
324	.1900-24 UNC-3A	.500	.250
420	.2500-20 UNC-3A	.500	.312
518	.3125-18 UNC-3A	.625	.375
616	.3750-16 UNC-3A	.750	.437
813	.5000-13 UNC-3A	1.000	.562

FINE THREAD T DATA

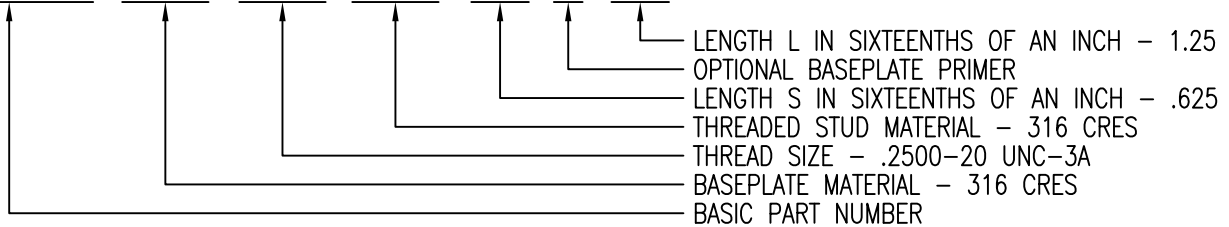
CODE	THREAD SIZE	D DIA	T MIN
3	.1900-32 UNF-3A	.500	.250
4	.2500-28 UNF-3A	.500	.312
5	.3125-24 UNF-3A	.625	.375
6	.3750-24 UNF-3A	.750	.437
8	.5000-20 UNF-3A	1.000	.562

OPTIONAL BASEPLATE PRIMER

CODE	MATERIAL SPEC.
-	NONE
P	MIL-PRF-85582

EXAMPLE PART NUMBER

CB9784 CRM 420 CRM 10 P 20



UNLESS OTHERWISE SPECIFIED, ALL DIMENSIONS ARE IN INCHES AND TOLERANCES ARE AS SHOWN BELOW. DIMENSIONAL TOLERANCES AND SYMBOLS PER ANSI Y14.5M-1982.

PROPRIETARY PARTS SHOWN IN THIS DRAWING ARE THE SUBJECT OF ISSUED UNITED STATES AND FOREIGN PATENTS AND PATENTS PENDING. UNAUTHORIZED REPRODUCTION AND/OR DISTRIBUTION OF THIS DRAWING IS SPECIFICALLY PROHIBITED.

CLICK BOND

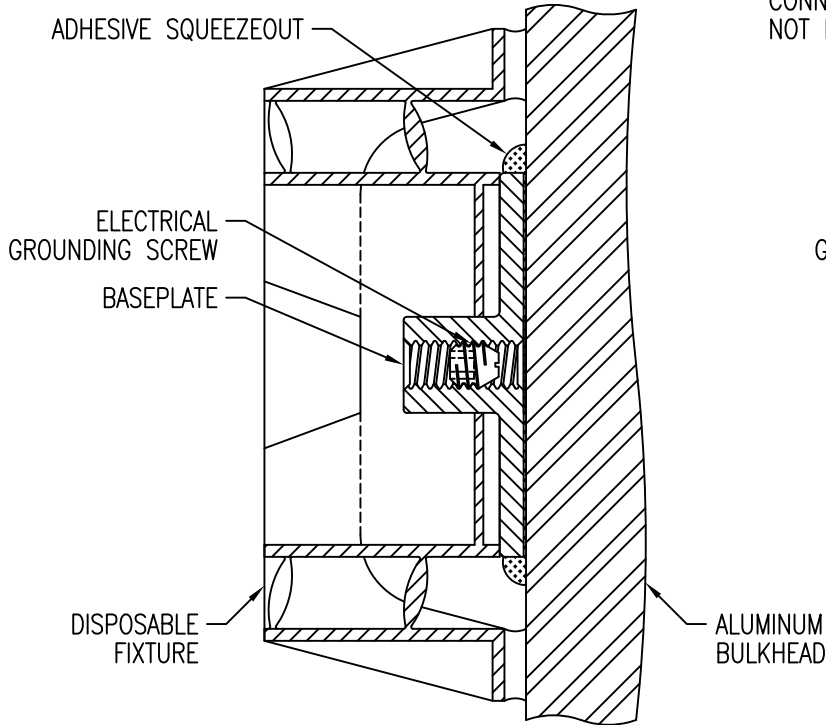
CARSON CITY
NEVADA 89706

CAD CB9784-1

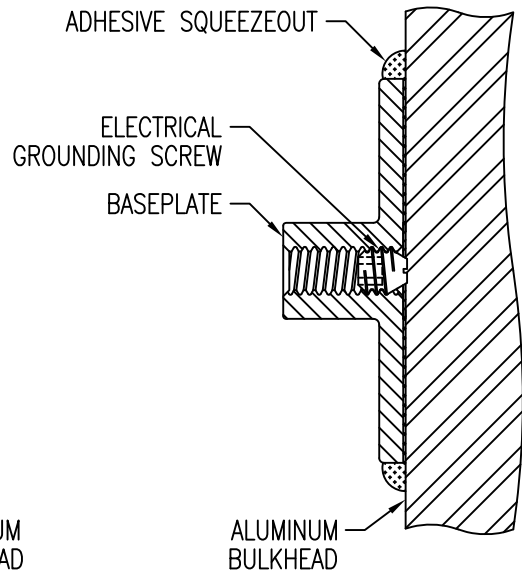
APPROVALS	DATE
DRAWN RJT	21OCT10
CHECKED <i>[Signature]</i>	21OCT10
RELEASED CGH	21OCT10
REVISED	

TITLE			
STUD, ELECTRICAL GROUNDING SPACER, LARGE BASE			
SIZE	CAGE CODE	DWG. NO.	REV.
A	66530	CB9784	0
SCALE	1/1	21OCT10	SHEET 1 OF 2

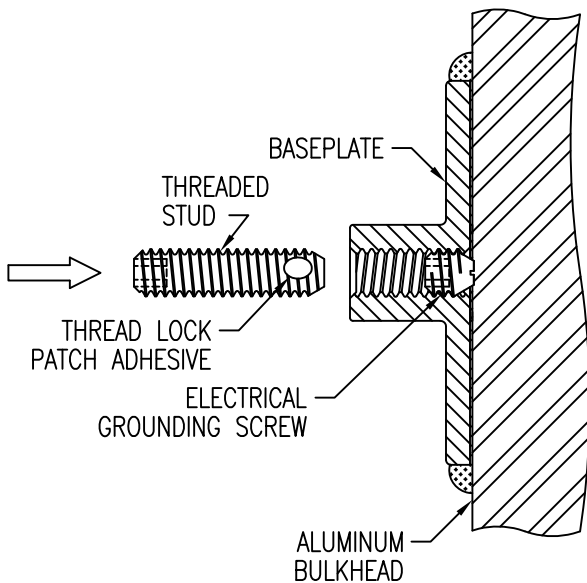
1. BOND BASEPLATE TO THE ALUMINUM BULKHEAD. AFTER ADHESIVE CURES, REMOVE THE DISPOSABLE FIXTURE.



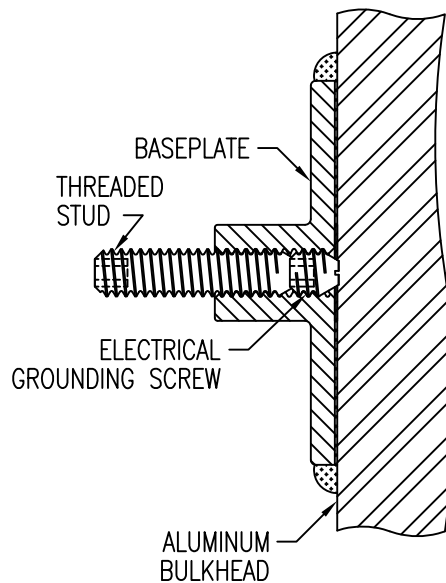
2. SEAT THE ELECTRICAL GROUNDING SCREW USING A HEX WRENCH. APPLY AN APPROPRIATE TORQUE SO THAT THE ELECTRICAL GROUNDING SCREW MAKES AN ELECTRICAL CONNECTION WITH THE ALUMINUM BULKHEAD BUT DOES NOT DISBOND THE BASEPLATE.



3. INSTALL THE THREADED STUD INTO THE BASEPLATE. SEAT THE STUD USING A HEX WRENCH ONTO ELECTRICAL GROUNDING SCREW.



4. CHECK FOR ELECTRICAL CONTINUITY WITH OHMMETER. INSTALLATION IS COMPLETE.



UNLESS OTHERWISE SPECIFIED, ALL DIMENSIONS ARE IN INCHES AND TOLERANCES ARE AS SHOWN BELOW. DIMENSIONAL TOLERANCES AND SYMBOLS PER ANSI Y14.5M-1982.

PROPRIETARY PARTS SHOWN IN THIS DRAWING ARE THE SUBJECT OF ISSUED UNITED STATES AND FOREIGN PATENTS AND PATENTS PENDING. UNAUTHORIZED REPRODUCTION AND/OR DISTRIBUTION OF THIS DRAWING IS SPECIFICALLY PROHIBITED.

CLICK BOND

CARSON CITY
NEVADA 89706

CAD CB9784-2

APPROVALS

DATE

TITLE

ANGLES $\pm 1^\circ$

DRAWN RJT

21OCT10

STUD, ELECTRICAL GROUNDING SPACER, LARGE BASE

.XX $\pm .03$

CHECKED *DAC/mtm*

21OCT10

SIZE

CAGE CODE

DWG. NO.

REV.

.XXX $\pm .010$

RELEASED *CGH*

21OCT10

A

66530

CB9784

0

.XXXX $\pm .001$

REVISED

SCALE

1/1

21OCT10

SHEET 2 OF 2