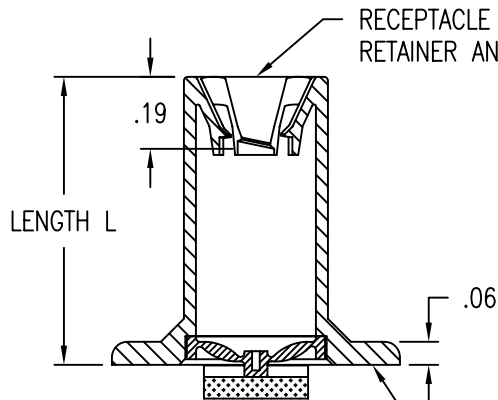
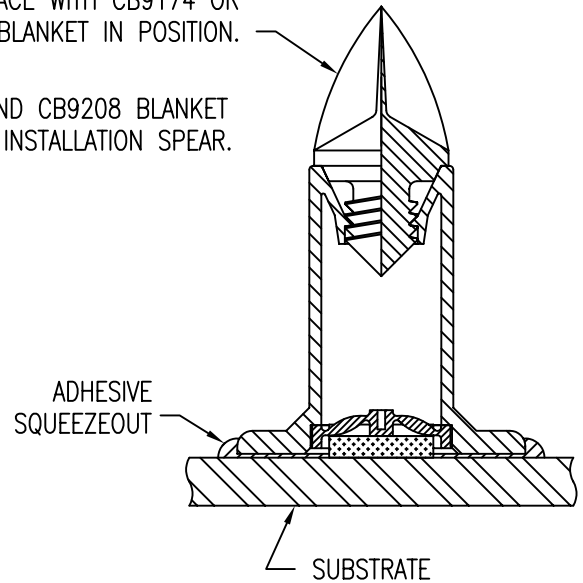


PART NUMBER WITH S SUFFIX HAS CB9194 BLANKET INSTALLATION SPEAR ATTACHED TO PUNCTURE BLANKET. REPLACE WITH CB9174 OR CB9208 RETAINER TO HOLD BLANKET IN POSITION.



RECEPTACLE ACCEPTS CB9174 AND CB9208 BLANKET RETAINER AND CB9194 BLANKET INSTALLATION SPEAR.



SELF ACTUATING PRESSURE SENSITIVE ADHESIVE FIXTURE HOLDS MOUNT IN POSITION WHILE ADHESIVE CURES.

RECEPTACLE ATTACHED BY ADHESIVE APPLIED TO THIS SURFACE.

LENGTH L DATA

CODE	LENGTH L
7	.44
12	.75
24	1.50

RECEPTACLE MATERIAL: ULTEM THERMOPLASTIC, 350°F

EXAMPLE PART NUMBER

CB9173 V 3-12 S

OPTIONAL CB9194 BLANKET INSTALLATION SPEAR ATTACHED
 LENGTH L IN 16THS - .75
 THREAD SIZE - .1900-32 BUTTRESS DOUBLE LEAD
 MATERIAL - ULTEM
 BASIC PART NUMBER

UNLESS OTHERWISE SPECIFIED, ALL DIMENSIONS ARE IN INCHES AND TOLERANCES ARE AS SHOWN BELOW. DIMENSIONAL TOLERANCES AND SYMBOLS PER ANSI Y14.5M-1982.

PROPRIETARY PARTS SHOWN IN THIS DRAWING ARE THE SUBJECT OF ISSUED UNITED STATES AND FOREIGN PATENTS AND PATENTS PENDING. UNAUTHORIZED REPRODUCTION AND/OR DISTRIBUTION OF THIS DRAWING IS SPECIFICALLY PROHIBITED.

GLICK BOND

CARSON CITY
NEVADA 89706

		APPROVALS	DATE
ANGLES	±1°	DRAWN DAC	17JUN99
.XX	±.03	CHECKED DAC	17JUN99
.XXX	±.010	RELEASED CGH	17JUN99
.XXXX	±.001	REVISED DAC	17JUN99

TITLE			
RECEPTACLE, INSULATION BLANKET MOUNT			
SIZE	CAGE CODE	DWG. NO.	REV.
A	66530	CB9173	5
SCALE	2/1 17JUN99		SHEET 1 OF 1