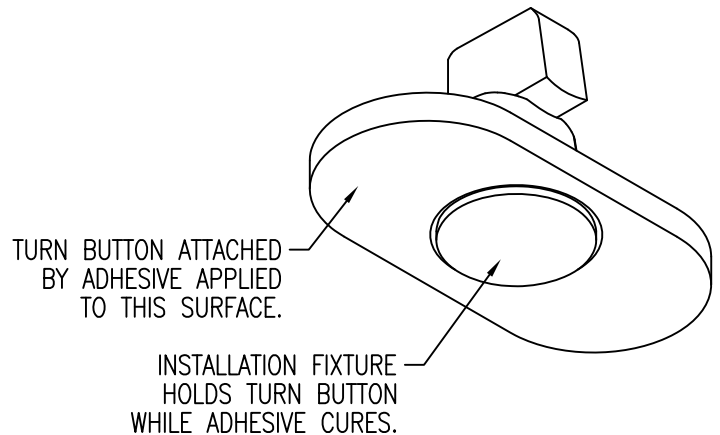


BASEPLATE MATERIAL

CODE	MATERIAL
VG	GLASS/POLYETHERIMIDE

BUTTON MATERIAL: NICKEL PLATED BRASS

- NOTES: 1. DIMENSIONS IN INCHES (mm)
2. APPROX. WEIGHT 2.4 LBS/100 (10,9 grams)



EXAMPLE PART NUMBER

CM490 VG

BASEPLATE MATERIAL - GLASS/PEI
BASIC PART NUMBER

UNLESS OTHERWISE SPECIFIED, ALL DIMENSIONS ARE IN INCHES AND TOLERANCES ARE AS SHOWN BELOW. DIMENSIONAL TOLERANCES AND SYMBOLS PER ANSI Y14.5M-1982.

PROPRIETARY PARTS SHOWN IN THIS DRAWING ARE THE SUBJECT OF ISSUED UNITED STATES AND FOREIGN PATENTS AND PATENTS PENDING. UNAUTHORIZED REPRODUCTION AND/OR DISTRIBUTION OF THIS DRAWING IS SPECIFICALLY PROHIBITED.

CLICK BOND

CARSON CITY
NEVADA 89706

		APPROVALS	DATE
ANGLES	±1°	DRAWN <i>BPEREZ</i>	17JUL13
.XX	±.03	CHECKED <i>JAC</i>	17JUL13
.XXX	±.010	RELEASED <i>ABC</i>	17JUL13
.XXXX	±.001	REVISED	

TITLE			
TURN BUTTON, ADHESIVE BONDED			
SIZE	CAGE CODE	DWG. NO.	REV.
A	66530	CM490	0
SCALE	2/1 17JUL13		SHEET 1 OF 1