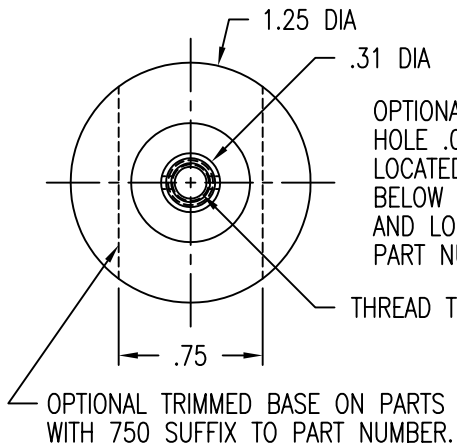
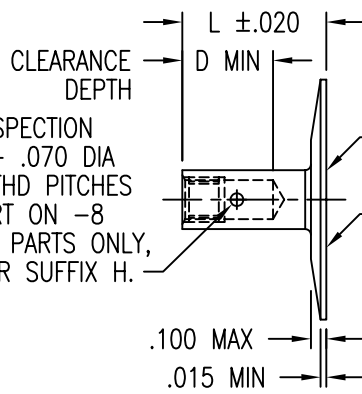


STANDOFF STRAIGHT WITHIN .004 INCH PER INCH OF LENGTH.
 PITCH DIAMETER CONCENTRIC WITH BASE O.D. WITHIN .020 FIM.
 PITCH DIAMETER PERPENDICULAR TO BASE WITHIN ±1 DEG.

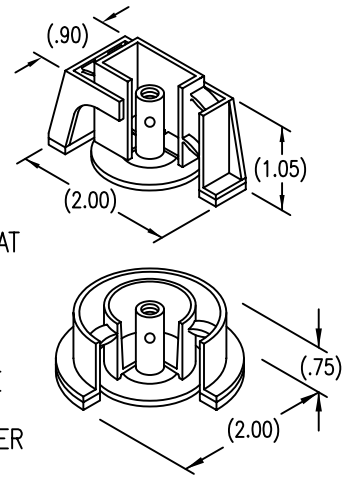
DISPOSABLE PRESSURE SENSITIVE ADHESIVE
 FIXTURE HOLDS STANDOFF WHILE ADHESIVE CURES.



OPTIONAL INSPECTION
 HOLE .062 - .070 DIA
 LOCATED 2 THD PITCHES
 BELOW INSERT ON -8
 AND LONGER PARTS ONLY,
 PART NUMBER SUFFIX H.



STANDARD
 FIXTURE
 OPTIONAL PRIMER
 THIS SURFACE.
 BASE SURFACE FLAT
 WITHIN .010 FIM.
 FOR OPTIONAL
 ROUND FIXTURE
 ADD SUFFIX R
 TO PART NUMBER



LENGTH L DATA (LENGTH L IN SIXTEENTHS OF AN INCH)

| | | | | | | | | | | | | | | | | |
|-------|------|------|------|------|------|------|------|------|------|------|-------|-------|-------|-------|-------|-------|
| CODE | 6 | 7 | 8 | 9 | 10 | 11 | 12 | 13 | 14 | 15 | 16 | 17 | 18 | 20 | 22 | 24 |
| L | .375 | .437 | .500 | .562 | .625 | .687 | .750 | .812 | .875 | .937 | 1.000 | 1.062 | 1.125 | 1.250 | 1.375 | 1.500 |
| D MIN | .295 | | .400 | | .472 | | | | | | | | | | | |

STANDOFF MATERIAL AND FINISH DATA

| CODE | STANDOFF MATERIAL | SPEC. | FINISH | SPEC. |
|------|-------------------------------------|---|-----------|------------|
| A | 2024 OR 6061 | QQ-A-200, QQ-A-225, OR QQ-A-250 | NONE | |
| AA | ALUMINUM | | ANODIZE | MIL-A-8625 |
| CR | 302, 303, 304 CRES OR A-286 CRES | AMS 5513, 5516, 5636, 5637, 5638, 5639, 5640, 5641, OR 5647 AMS 5525, 5726, 5731, 5732, 5734, OR 5737 (CHEMISTRY ONLY) | PASSIVATE | QQ-P-35 |
| CRA | A-286 CRES | AMS 5525, 5726, 5731, 5732, 5734, OR 5737 (CHEMISTRY ONLY) | PASSIVATE | QQ-P-35 |
| T | 6AL-4V TITANIUM | AMS 4911, 4928, 4965, OR 4967 | NONE | |

THREAD T DATA

| CODE | THREAD SIZE |
|------|-----------------|
| 06 | .1380-32 UNC-3B |
| 08 | .1640-32 UNC-3B |
| 3 | .1900-32 UNF-3B |

OPTIONAL PRIMER

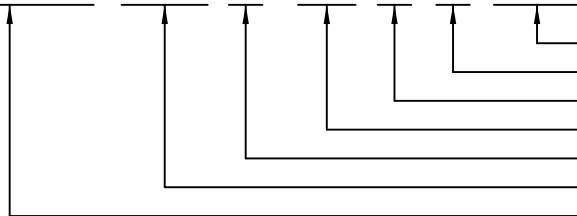
| CODE | BASEPLATE PRIMER | SPEC. |
|------|------------------|-------------|
| P | EPOXY PRIMER | MIL-P-85582 |
| W | FILM PRIMER | CBPS 211 |

THREAD T

MS21209 OR NAS1130 INSERT.
 INSERT INSTALLED PER MS33537.
 LUBE PER MIL-L-46010, TYPE 1.
 THREAD LOCK PER MIL-N-25027.
 ACCOMODATES MIL-S-8879 UNJ
 THREAD SCREW.

EXAMPLE PART NUMBER

CB3001 CRA 3-12 H P 750



OPTIONAL TRIMMED BASE - .750
 OPTIONAL PRIMER COATING ON BASEPLATE
 OPTIONAL INSPECTION HOLE
 STANDOFF LENGTH L - .750
 THREAD SIZE T - .1900-32 UNF-3B
 STANDOFF MATERIAL - A-286 CRES
 BASIC PART NUMBER

UNLESS OTHERWISE SPECIFIED, ALL DIMENSIONS ARE
 IN INCHES AND TOLERANCES ARE AS SHOWN BELOW.
 DIMENSIONAL TOLERANCES AND SYMBOLS PER ANSI
 Y14.5M-1982.

PROPRIETARY PARTS SHOWN IN THIS DRAWING ARE THE SUBJECT
 OF ISSUED UNITED STATES AND FOREIGN PATENTS AND PATENTS
 PENDING.
 UNAUTHORIZED REPRODUCTION AND/OR DISTRIBUTION OF THIS
 DRAWING IS SPECIFICALLY PROHIBITED.

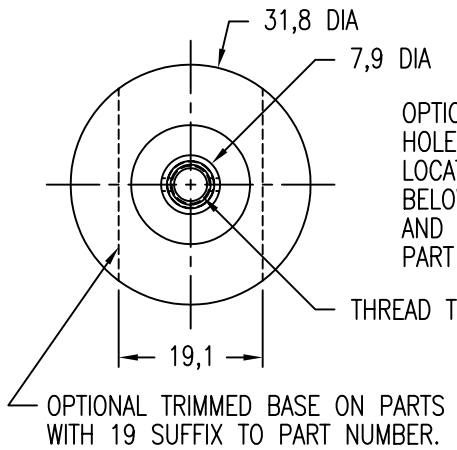


CARSON CITY
 NEVADA 89706

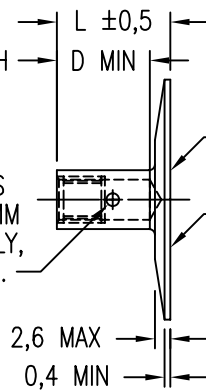
| | | | | | | | | |
|--------------|-------|-----------|-----|---------|---|-----------|----------|--------|
| CAD CB3001-1 | | APPROVALS | | DATE | TITLE | | | |
| ANGLES | ±1° | DRAWN | DAC | 24SEP99 | STANDOFF, LOCKING THREAD, ADHESIVE BONDED | | | |
| .XX | ±.03 | CHECKED | DAC | 24SEP99 | SIZE | CAGE CODE | DWG. NO. | |
| .XXX | ±.010 | RELEASED | CGH | 30CT99 | A | 66530 | CB3001 | |
| .XXXX | ±.001 | REVISED | DAC | 24SEP99 | SCALE | 1/1 | 24SEP99 | |
| | | | | | | | SHEET | 1 OF 2 |

STANDOFF STRAIGHT WITHIN 0,004 MM PER MM OF LENGTH.
 PITCH DIAMETER CONCENTRIC WITH BASE O.D. WITHIN 0,5 MM FIM.
 PITCH DIAMETER PERPENDICULAR TO BASE WITHIN ±1 DEG.

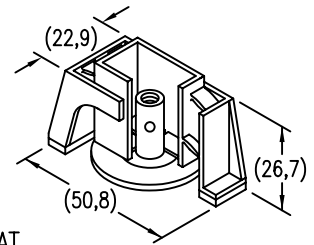
DISPOSABLE PRESSURE SENSITIVE ADHESIVE
 FIXTURE HOLDS STANDOFF WHILE ADHESIVE CURES.



OPTIONAL INSPECTION HOLE 1,5 - 1,8 DIA LOCATED 2 THD PITCHES BELOW INSERT ON 15 MM AND LONGER PARTS ONLY, PART NUMBER SUFFIX H.

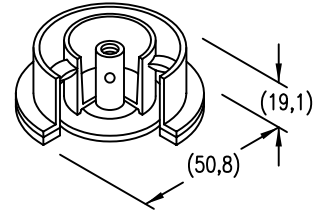


STANDARD FIXTURE



OPTIONAL PRIMER THIS SURFACE.
 BASE SURFACE FLAT WITHIN 0,25 FIM.

FOR OPTIONAL ROUND FIXTURE ADD SUFFIX R TO PART NUMBER



LENGTH L DATA (LENGTH L IN MILLIMETERS)

| CODE | 10M | 12M | 15M | 20M | 25M | 30M | 35M |
|-------|-----|-----|------|-----|-----|-----|-----|
| L | 10 | 12 | 15 | 20 | 25 | 30 | 35 |
| D MIN | 7,5 | | 12,3 | | | | |

STANDOFF MATERIAL AND FINISH DATA

| CODE | STANDOFF MATERIAL | SPEC. | FINISH | SPEC. |
|------|----------------------------------|--|-----------|------------|
| A | 2024 OR 6061 | QQ-A-200, QQ-A-225, OR QQ-A-250 | NONE | |
| AA | ALUMINUM | | ANODIZE | MIL-A-8625 |
| CR | 302, 303, 304 CRES OR A-286 CRES | AMS 5513, 5516, 5636, 5637, 5638, 5639, 5640, 5641, OR 5647 AMS 5525, 5726, 5731, 5732, 5734, OR 5737 (CHEMISTRY ONLY) | PASSIVATE | QQ-P-35 |
| CRA | A-286 CRES | AMS 5525, 5726, 5731, 5732, 5734, OR 5737 (CHEMISTRY ONLY) | PASSIVATE | QQ-P-35 |
| T | 6AL-4V TITANIUM | AMS 4911, 4928, 4965, OR 4967 | NONE | |

THREAD T DATA

| CODE | THREAD SIZE |
|------|---------------|
| 3M | M3 X 0,5 4H5H |
| 4M | M4 X 0,7 4H5H |
| 5M | M5 X 0,8 4H5H |

OPTIONAL PRIMER

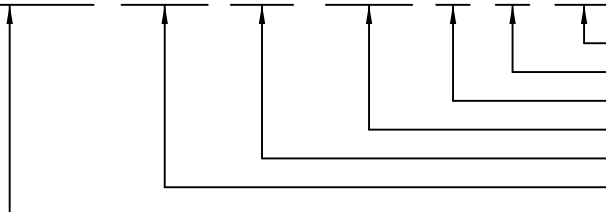
| CODE | BASEPLATE PRIMER | SPEC. |
|------|------------------|-------------|
| P | EPOXY PRIMER | MIL-P-85582 |
| W | FILM PRIMER | CBPS 211 |

THREAD T

MA3330 OR EQUIVALENT INSERT. INSERT INSTALLED PER MA1567. LUBE PER MIL-L-46010, TYPE 1. THREAD LOCK PER ISO 2320. ACCOMODATES ISO 5855 MJ THREAD SCREW.

EXAMPLE PART NUMBER

CB3001 CRA 5M 15M H P 19



OPTIONAL TRIMMED BASE - 19,1 MM
 OPTIONAL PRIMER COATING ON BASEPLATE
 OPTIONAL INSPECTION HOLE
 STANDOFF LENGTH L - 15 MM
 THREAD SIZE T - M5 X 0,8 4H5H
 STANDOFF MATERIAL - A-286 CRES
 BASIC PART NUMBER

UNLESS OTHERWISE SPECIFIED, ALL DIMENSIONS ARE IN MILLIMETERS AND TOLERANCES ARE AS SHOWN BELOW. DIMENSIONAL TOLERANCES AND SYMBOLS PER ANSI Y14.5M-1982.

PROPRIETARY PARTS SHOWN IN THIS DRAWING ARE THE SUBJECT OF ISSUED UNITED STATES AND FOREIGN PATENTS AND PATENTS PENDING. UNAUTHORIZED REPRODUCTION AND/OR DISTRIBUTION OF THIS DRAWING IS SPECIFICALLY PROHIBITED.

GLICK BOND

CARSON CITY
 NEVADA 89706

| | |
|-----------------------------------|-------|
| CAD CB3001-2 METRIC DIMENSIONS | |
| ANGLES | ±1° |
| .X | ±0,8 |
| .XX | ±0,25 |

| APPROVALS | DATE |
|--------------|---------|
| DRAWN DAC | 24SEP99 |
| CHECKED DAC | 24SEP99 |
| RELEASED CGH | 30CT99 |
| REVISED DAC | 24SEP99 |

| | | | |
|--|--------------------|-----------------------------|--------------|
| TITLE STANDOFF, LOCKING THREAD, ADHESIVE BONDED | | | |
| SIZE A | CAGE CODE 66530 | DWG. NO. CB3001 (METRIC) | REV. 16 |
| SCALE 1/1 | 24SEP99 | | SHEET 2 OF 2 |