

SADDLE MATERIAL AND FINISH DATA

CODE	MATERIAL	SPEC.	COLOR
N	NYLON, NATURAL	ASTM D4066 OR EQUAL	NATURAL
NB	NYLON, BLACK, STABILIZED	ASTM D4066 OR EQUAL	BLACK
P	PEEK	NONE	NATURAL
T	FLUOROPOLYMER	TEFZEL	BLUE
V	POLYETHERIMIDE	ULTEM 1000 OR EQUAL	NATURAL
VC	CARBON/PEI	ASTM D5205	NATURAL

DIMENSION DATA

SIZE CODE	MAX TIE WIDTH D REF	SADDLE DIMENSIONS		
		A	B	C
2	.100	.56	.34	.27
3	.190	.67	.44	.33

LENGTH L DATA

CODE	L ±.030
8	.500
12	.750
16	1.000
24	1.500

BASEPLATE MATERIAL

CODE	MATERIAL
C	CARBON/EPOXY, 350°F CURE
E	GLASS/EPOXY, 350°F CURE
G	GLASS/EPOXY, 250°F CURE

OPTIONAL BASEPLATE PRIMER

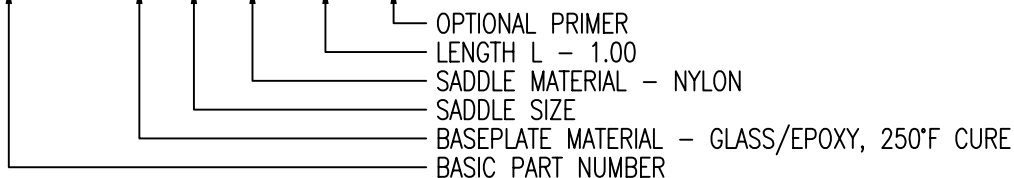
CODE	MATERIAL SPEC.
P	MIL-PRF-85582

RIVET MATERIAL: 300 SERIES CRES OR A-286 CRES.  
RIVET FINISH: PASSIVATE PER AMS 2700.

MANUFACTURER'S OPTION: 300 SERIES CRES TRIM WASHER UNDER RIVET HEAD.

EXAMPLE PART NUMBER

CB4021 G 3 N 16 P



UNLESS OTHERWISE SPECIFIED, ALL DIMENSIONS ARE IN INCHES AND TOLERANCES ARE AS SHOWN BELOW. DIMENSIONAL TOLERANCES AND SYMBOLS PER ANSI Y14.5M-1982.

PROPRIETARY PARTS SHOWN IN THIS DRAWING ARE THE SUBJECT OF ISSUED UNITED STATES AND FOREIGN PATENTS AND PATENTS PENDING. UNAUTHORIZED REPRODUCTION AND/OR DISTRIBUTION OF THIS DRAWING IS SPECIFICALLY PROHIBITED.

**CLICK BOND**

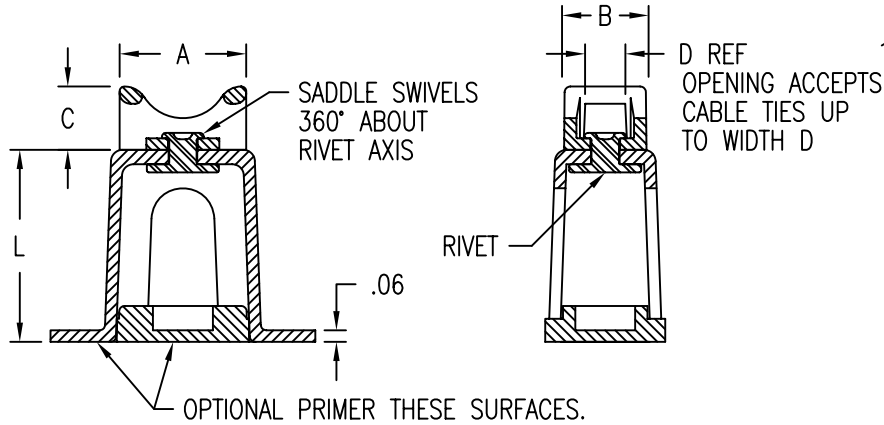
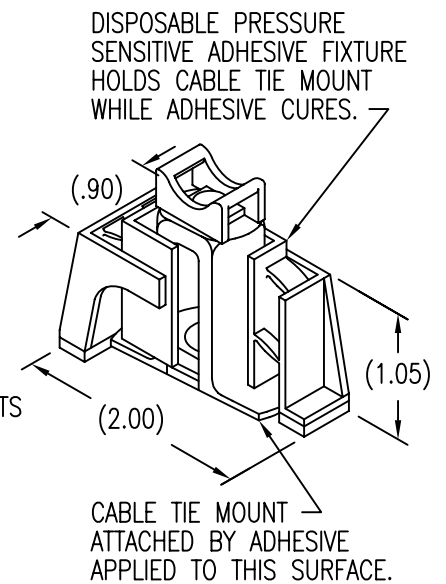
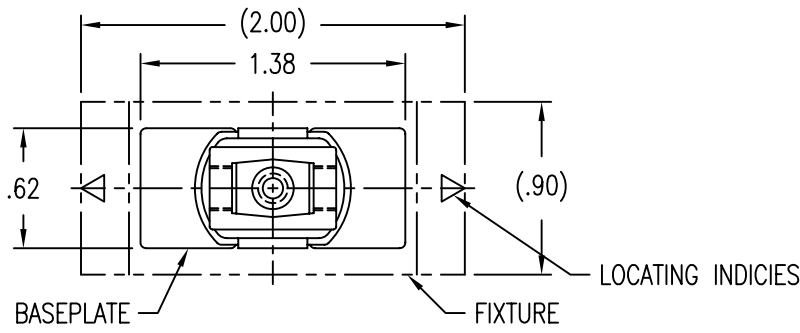
CARSON CITY  
NEVADA 89706

CAD CB4021-1

APPROVALS	DATE
DRAWN <i>DAC</i>	7DEC06
CHECKED <i>DAC/mtm</i>	7DEC06
RELEASED <i>CGH</i>	7DEC06
REVISED <i>DAC</i>	7DEC06

TITLE  
MOUNT, CABLE TIE, STANDOFF, COMPOSITE

SIZE	CAGE CODE	DWG. NO.	REV.
A	66530	CB4021	13
SCALE	1/1	7DEC06	SHEET 1 OF 2



SADDLE MATERIAL AND FINISH DATA

CODE	MATERIAL	SPEC.	COLOR
N	NYLON, NATURAL	ASTM D4066 OR EQUAL	NATURAL
NB	NYLON, BLACK, STABILIZED	ASTM D4066 OR EQUAL	BLACK
P	PEEK	NONE	NATURAL
T	FLUOROPOLYMER	TEFZEL	BLUE
V	POLYETHERIMIDE	ULTEM 1000 OR EQUAL	NATURAL
VC	CARBON/PEI	ASTM D5205	NATURAL

BASEPLATE MATERIAL

CODE	MATERIAL
U	GLASS/PEI, 30% GLASS
UC	CARBON/PEI, 30% CARBON
V	GLASS/PEI, 40% GLASS
VC	CARBON/PEI, 40% CARBON
W	GLASS/PEI, 30% GLASS *
WC	CARBON/PEI, 30% CARBON *

\* LOW HEAT RELEASE

DIMENSION DATA

SIZE CODE	MAX TIE WIDTH D REF	SADDLE DIMENSIONS		
		A	B	C
2	.100	.56	.34	.27
3	.190	.67	.44	.33

LENGTH L DATA

CODE	L ±.030
8	.500
12	.750
16	1.000
24	1.500
32	2.000

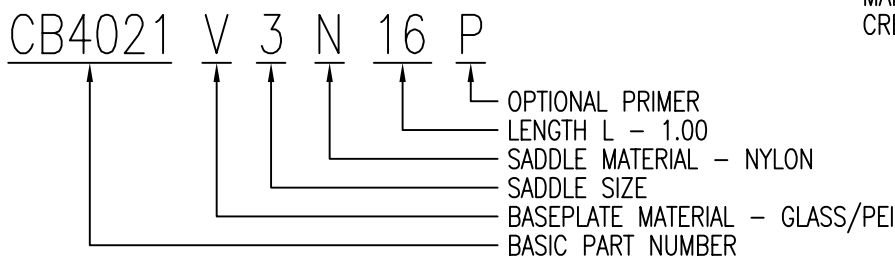
OPTIONAL BASEPLATE PRIMER

CODE	MATERIAL SPEC.
P	MIL-PRF-85582

RIVET MATERIAL: 300 SERIES OR A-286 CRES.  
RIVET FINISH: PASSIVATE PER AMS 2700.

MANUFACTURER'S OPTION: 300 SERIES CRES TRIM WASHER UNDER RIVET HEAD.

EXAMPLE PART NUMBER



UNLESS OTHERWISE SPECIFIED, ALL DIMENSIONS ARE IN INCHES AND TOLERANCES ARE AS SHOWN BELOW. DIMENSIONAL TOLERANCES AND SYMBOLS PER ANSI Y14.5M-1982.

PROPRIETARY PARTS SHOWN IN THIS DRAWING ARE THE SUBJECT OF ISSUED UNITED STATES AND FOREIGN PATENTS AND PATENTS PENDING. UNAUTHORIZED REPRODUCTION AND/OR DISTRIBUTION OF THIS DRAWING IS SPECIFICALLY PROHIBITED.

**CLICK BOND**

CARSON CITY  
NEVADA 89706

CAD CB4021-2

APPROVALS	DATE
DRAWN <i>DAC</i>	7DEC06
CHECKED <i>DAC</i>	7DEC06
RELEASED <i>CGH</i>	7DEC06
REVISED <i>DAC</i>	7DEC06

TITLE			
MOUNT, CABLE TIE, STANDOFF, COMPOSITE			
SIZE	CAGE CODE	DWG. NO.	REV.
A	66530	CB4021	13
SCALE	1/1	7DEC06	SHEET 2 OF 2