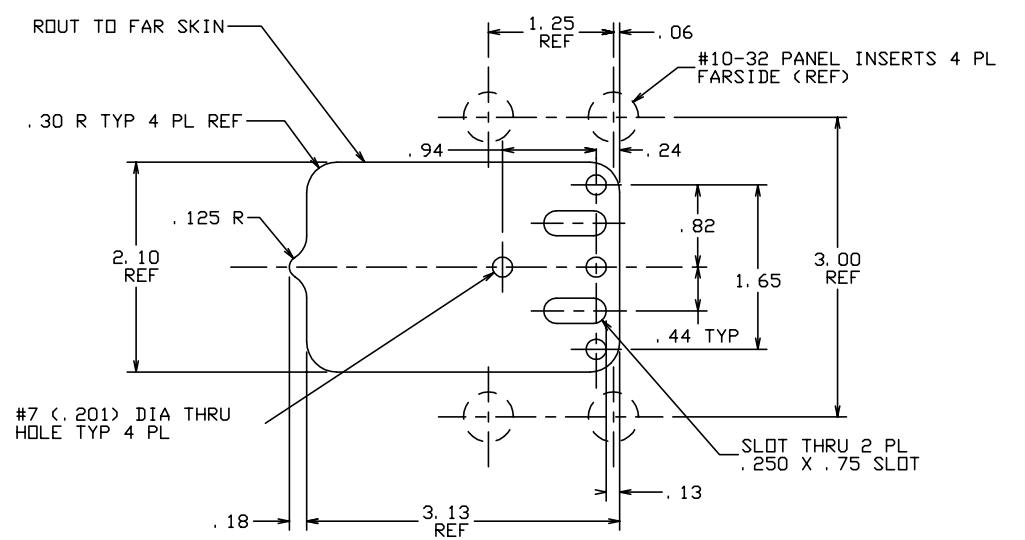
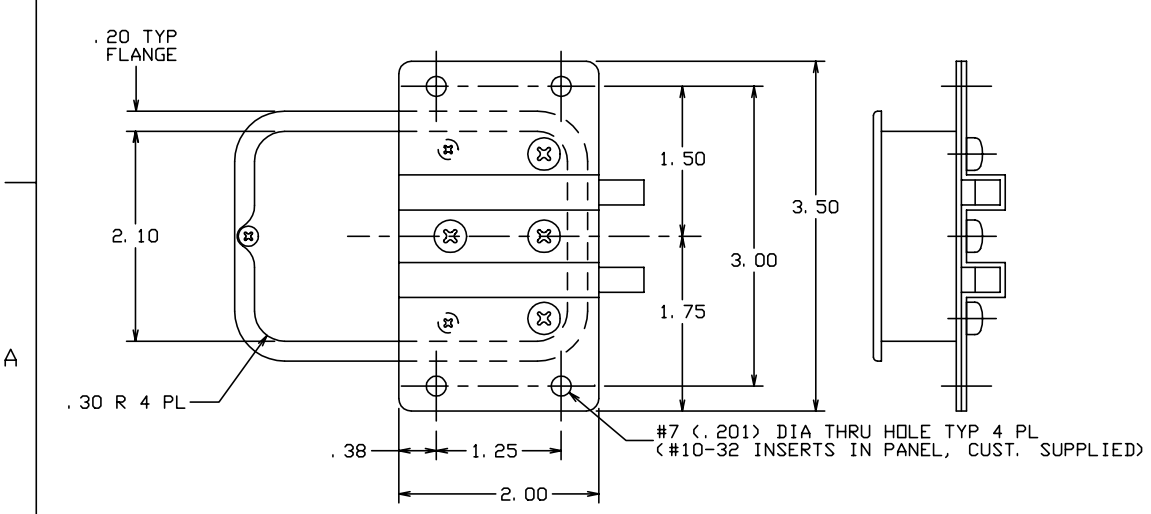
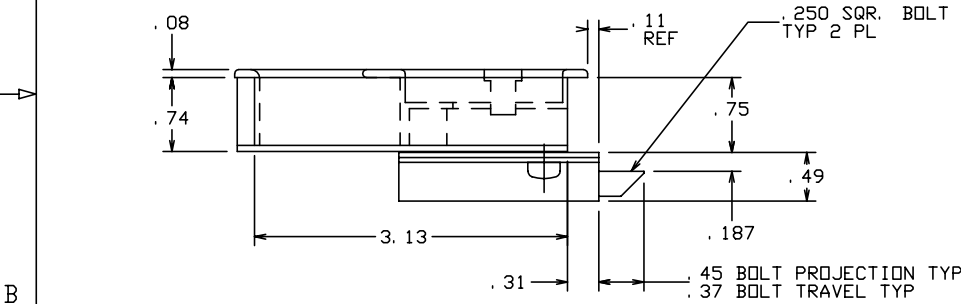
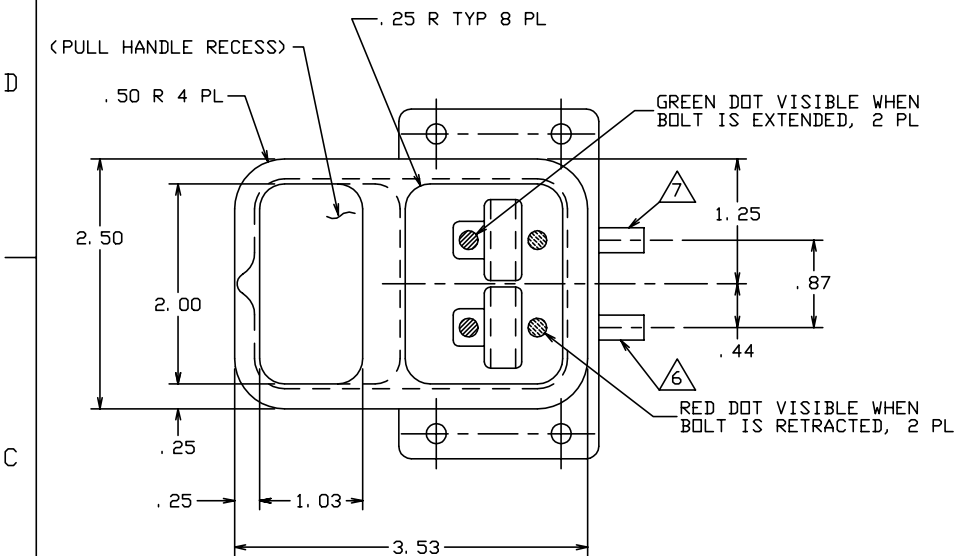


THE INFORMATION AND DESIGN HEREIN WAS ORIGINATED BY AND IS THE PROPERTY OF SKYLOCK INDUSTRIES INCORPORATED. SKYLOCK INDUSTRIES INCORPORATED RESERVES ALL PATENT, PROPRIETARY, DESIGN MANUFACTURING, REPRODUCTION, USE AND SALES RIGHTS THERETO, AND TO ANY ARTICLE DISCLOSED THEREIN EXCEPT TO THE EXTENT RIGHTS ARE EXPRESSLY GRANTED TO OTHERS. THE FOREGOING DOES NOT APPLY TO VENDOR PROPRIETARY PARTS.

REVISIONS				
ZONE	LTR	DESCRIPTION	DATE	APPROVED
	NC	PRODUCTION RELEASE	7-28-93	T. CSIK



(PANEL CUTOUT INFORMATION)

NOTES: UNLESS OTHERWISE SPECIFIED.

- REMOVE ALL BURRS AND BREAK SHARP EDGES.
- MAT'L: HANDLE HOUSING ASSY COMPONENTS; ALUM. ALLOY, BOLT HOUSING ASSY COMPONENTS; ST. STL.
- PROTECTIVE FINISH: ALUM. ALLOY COMPONENTS; CLEAR ANODIZE, ST. STL. COMPONENTS; PASSIVATE.
- DECORATIVE FINISH: VISIBLE SURFACES; SATIN BUFF.
- THREADS COATED WITH VC-3 VIBRATITE.
- BOLT IS DETENTED IN EXTENDED AND RETRACTED POSITIONS (DEADBOLT).
- BOLT IS SPRING LOADED AND ALWAYS FREE TO LATCH (SLAM).

-401 LATCH ASSY					
PART NO.	DESCRIPTION	MATERIAL SIZE SPECIFICATION			
PARTS LIST					
UNLESS OTHERWISE SPECIFIED		DRAWN BY	T. CSIK	7-28-93	SKYLOCK INDUSTRIES INCORPORATED MONROVIA CALIFORNIA U. S. A.
DIMENSIONS ARE IN INCHES		CHECKED			
TOLERANCES ON		ENGINEER			
DECIMALS ANGLES DRILLED HOLES		PROJECT			
.X ± .1 ± 0° 30' AND 10387		APPROVAL			LATCH ASSY-DOUBLE BOLT WITH PULL HANDLE
.XXX ± .010		APPROVAL	T. CSIK	7-28-93	
DO NOT SCALE THIS DRAWING					
MATERIAL - FINISH	USED ON	SIZE	CODE IDENT. NO.	DRAWING NO.	REV.
NEXT ASSY		C	51941	20846	NC
FINAL ASSY		SCALE	1:2	VT.	SHEET 1 OF 1