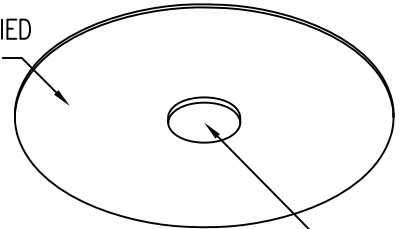
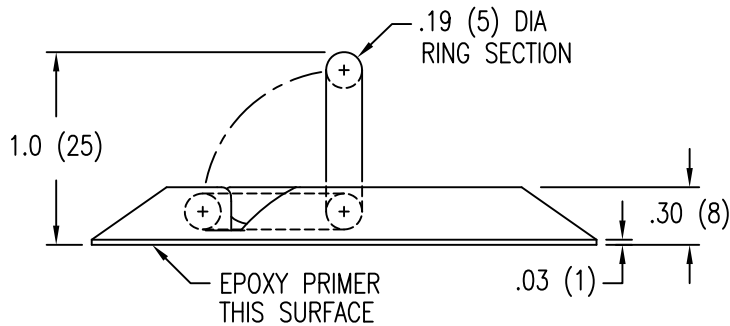


RING ATTACHED BY ADHESIVE APPLIED TO THIS SURFACE.



INTERNAL PRESSURE SENSITIVE ADHESIVE FIXTURE HOLDS RING WHILE ADHESIVE CURES.



NOTE: DIMENSIONS IN INCHES (mm)

MATERIAL AND FINISH DATA

CODE	MATERIAL	FINISH
CRM	316 CRES	PASSIVATE

EXAMPLE PART NUMBER

CM988 CRM P

↑ ↑ ↑  
 EPOXY PRIMER ON BASEPLATE  
 MATERIAL - 316 CRES  
 BASIC PART NUMBER

UNLESS OTHERWISE SPECIFIED, ALL DIMENSIONS ARE IN INCHES AND TOLERANCES ARE AS SHOWN BELOW. DIMENSIONAL TOLERANCES AND SYMBOLS PER ANSI Y14.5M-1982.

PROPRIETARY PARTS SHOWN IN THIS DRAWING ARE THE SUBJECT OF ISSUED UNITED STATES AND FOREIGN PATENTS AND PATENTS PENDING. UNAUTHORIZED REPRODUCTION AND/OR DISTRIBUTION OF THIS DRAWING IS SPECIFICALLY PROHIBITED.

**CLICK BOND**

CARSON CITY  
 NEVADA 89706

		APPROVALS	DATE
ANGLES	±1°	DRAWN <i>DAC</i>	24MAR13
.XX	±.03	CHECKED <i>DAC/mtm</i>	24MAR13
.XXX	±.010	RELEASED <i>CGH</i>	24MAR13
.XXXX	±.001	REVISED <i>DAC</i>	24MAR13

TITLE			
RING, TIE DOWN, FLUSH			
SIZE	CAGE CODE	DWG. NO.	REV.
A	66530	CM988	1
SCALE	1/1 24MAR13		SHEET 1 OF 1