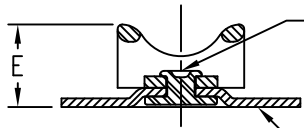
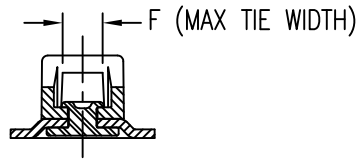


RIVET



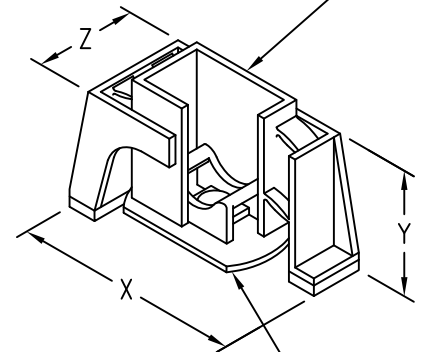
SADDLE SWIVELS
360° ABOUT
RIVET AXIS

BASEPLATE PRIMER
THIS SURFACE



F (MAX TIE WIDTH)

DISPOSABLE PRESSURE
SENSITIVE ADHESIVE FIXTURE
HOLDS CABLE TIE MOUNT
WHILE ADHESIVE CURES.



CABLE TIE MOUNT
ATTACHED BY ADHESIVE
APPLIED TO THIS SURFACE.

DIMENSION AND APPROX. WEIGHT DATA

SIZE CODE	A	B	SADDLE DIMENSIONS			F REF	FIXTURE DIMENSIONS			APPROX. WEIGHT LBS/100 (grams)
			C	D	E		X REF	Y REF	Z REF	
3	1.25	.75	.67 (17,0)	.44 (11,2)	.43 (10,9)	.190 (4,8)	2.00 (50,8)	1.05 (26,7)	.90 (22,9)	2.16 (9,8)
5	(31,8)	(19,1)	.92 (23,4)	.56 (14,2)	.52 (13,2)	.350 (8,9)				2.33 (10,6)

BASEPLATE MATERIAL AND FINISH DATA

CODE	MATERIAL	FINISH
CRM	316 CRES	PASSIVATE

SADDLE MATERIAL AND FINISH DATA

CODE	MATERIAL	COLOR
V	POLYETHERIMIDE	NATURAL

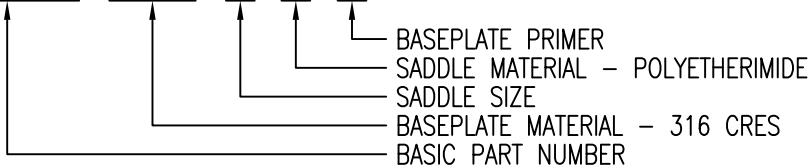
RIVET MATERIAL: 316 CRES
RIVET FINISH: PASSIVATE

MANUFACTURER'S OPTION:
316 CRES WASHER UNDER RIVET HEAD

- NOTES: 1. DIMENSIONS IN INCHES (mm)
2. CM319CRM3VP CABLE TIE MOUNT FOR USE WITH INTERMEDIATE OR STANDARD CABLE TIE STRAPS
3. CM319CRM5VP CABLE TIE MOUNT FOR USE WITH LIGHT HEAVY OR HEAVY CABLE TIE STRAPS
4. APPROX. WEIGHT EXCLUDES WEIGHT OF DISPOSABLE INSTALLATION FIXTURE

EXAMPLE PART NUMBER

CM319 CRM 3 V P



UNLESS OTHERWISE SPECIFIED, ALL DIMENSIONS ARE IN INCHES AND TOLERANCES ARE AS SHOWN BELOW. DIMENSIONAL TOLERANCES AND SYMBOLS PER ANSI Y14.5M-1982.

PROPRIETARY PARTS SHOWN IN THIS DRAWING ARE THE SUBJECT OF ISSUED UNITED STATES AND FOREIGN PATENTS AND PATENTS PENDING. UNAUTHORIZED REPRODUCTION AND/OR DISTRIBUTION OF THIS DRAWING IS SPECIFICALLY PROHIBITED.

CLICK BOND

CARSON CITY
NEVADA 89706

APPROVALS		DATE		TITLE			
ANGLES	±1°	DRAWN	DAC	MOUNT, CABLE TIE			
.XX	±.03	CHECKED	DAC/mtm	SIZE	CAGE CODE	DWG. NO.	REV.
.XXX	±.010	RELEASED	KGH	A	66530	CM319	0
.XXXX	±.001	REVISED		SCALE	1/1	23JAN12	SHEET 1 OF 1