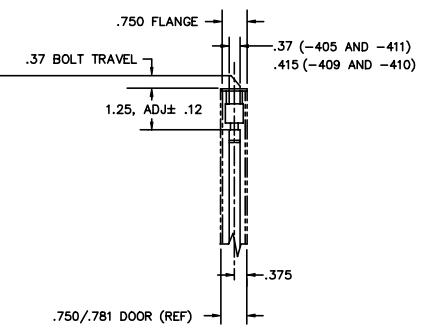
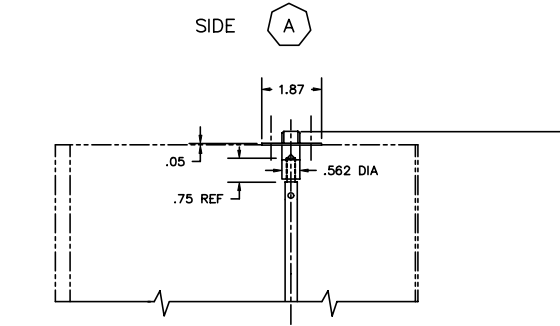
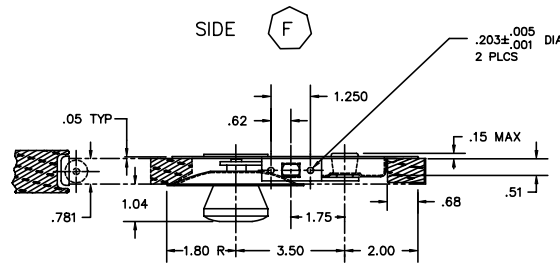
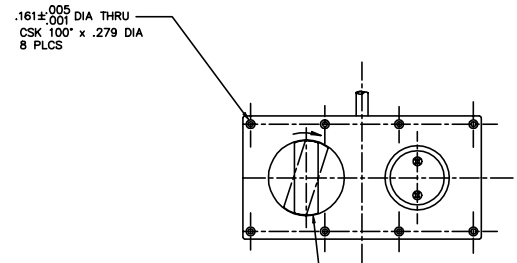
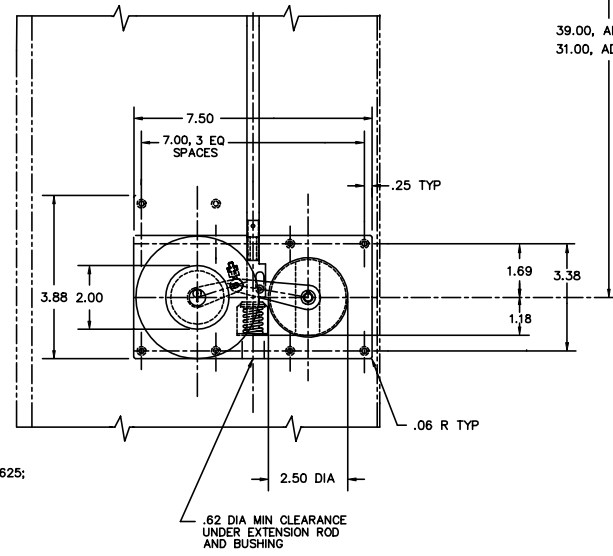


THE INFORMATION AND DESIGN HEREIN WAS ORIGINATED BY AND IS THE PROPERTY OF SKYLOCK INDUSTRIES INCORPORATED. SKYLOCK INDUSTRIES INCORPORATED RESERVES ALL PATENT, PROPRIETARY, DESIGN MANUFACTURING INFORMATION, USE AND SALES RIGHTS HEREIN. AND TO ANY PATENT OR PATENTS THEREIN EXCEPT TO THE EXTENT RIGHTS ARE EXPRESSLY GRANTED TO OTHERS. THE PROVISIONS DOES NOT APPLY TO KNOWN PROPRIETARY PARTS.

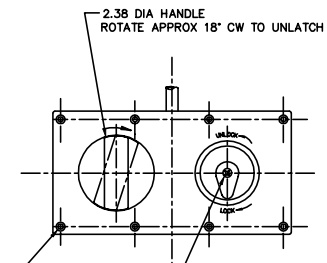
REVISIONS				
ZONE	LTR	DESCRIPTION	DATE	APPROVED
H		SEE ECN H		



39.00, ADJ ±.12 (-405 AND -411)
31.00, ADJ ±.12 (-409 AND -410)



SIDE F -405 DOOR LOCK



SIDE F
-409 DOOR LOCK
-410 DOOR LOCK (OPP)
-411 DOOR LOCK

△ FINISH: ALUM; BOTH SIDES, SATIN BRUSH AND CLEAR ANODIZE PER MIL-A-8625;
CRES; PASSIVATE
ENGRAVING; BLACK EPOXY ENAMEL PAINT

△ OPERATION: SPRING LOADED TOP BOLT RETRACTED ON SIDE AND BY FLUSH TURN ON SIDE (F). MECHANISM MAY BE LOCKED OR UNLOCKED BY KEY FROM SIDE AND BY THUMB TURN FROM SIDE (F) (LOCK MAY BE LEFT UNLOCKED FROM EITHER SIDE). BOLT IS ALWAYS FREE TO RETRACT WHILE SLAMMING DOOR LOCKED OR UNLOCKED.

5 KEYING: T4619 UNLESS OTHERWISE SPECIFIED
* ON ORDER. 1 KEY 2013-1* FURNISHED.

△ OPERATION: SPRING LOADED TOP BOLT RETRACTED BY KNOB ON SIDE (A) WITH KEY INSTALLED AND BY FLUSH TURN ON SIDE (F). KNOB MAY BE LOCKED BY KEY FROM SIDE (A) ONLY. TO UNLOCK FROM SIDE (A) - INSERT KEY AND ROTATE PLUG 180° EITHER CLOCKWISE OR COUNTER-CLOCKWISE AND ROTATE KNOB WITH KEY INSTALLED. KEY CANNOT BE REMOVED WHILE KNOB IS IN THE UNLOCKED POSITION. SIDE (A) IS LOCKED AT ALL TIMES WHEN THE KEY IS REMOVED FROM THE KNOB. THE BOLT CAN BE RETRACTED FROM SIDE (F) WHILE SIDE (A) IS LOCKED. BOLT IS FREE TO RETRACT UPON SLAMMING DOOR WHEN LOCKED ON SIDE (A).

△ FINISH: ALUM; SIDE (F) ; GUN METAL GREY PER DN 7146, PER DPS 11.06;
SIDE (A) ; SATIN BRUSH AND CLEAR ANODIZE PER MIL-A 8625;
CRES; PASSIVATE
ENGRAVING; WHITE EPOXY ENAMEL PAINT

2. MAT'L: KNOBS, ESCUTCHEON AND COVER PLATE- ALUM ALLOY;
BOLT- NYLON; ALL OTHER COMPONENTS- CRES

1. REMOVE ALL BURRS AND SHARP CORNERS.
NOTES: UNLESS OTHERWISE SPECIFIED.

PART NO.	DESCRIPTION	MATERIAL	SIZE	SPECIFICATION	PAGE FROM
-411	DOOR LOCK	△ △			120676-411
-410	DOOR LOCK	△ △ △ (OPP)			120676-410
-409	DOOR LOCK	△ △			120676-409
-407	DOOR LOCK	△ △ △		OBsolete (USE -411 DOOR LOCK)	120676-407
-405	DOOR LOCK	△ △ △ (AMERICAN AIRLINES)			120676-405
-403	DOOR LOCK	△ △ △		OBsolete (USE -411 DOOR LOCK)	120676-403
-401	DOOR LOCK	△ △ △		OBsolete (USE -405 DOOR LOCK)	120676-401

UNLESS OTHERWISE SPECIFIED DIMENSIONS ARE IN INCHES		DRAWN BY S. CSIK	4/10/90	SKYLOCK INDUSTRIES INCORPORATED RODMEDIA CALIFORNIA
TOLERANCES ON DECIMALS ANGLES DRILLED HOLES : .0005" .001" .0015" .002" .0025" .003" .004" .005" .006" .007" .008" .009" .010" .015" .020" .030" .040" .050" .060" .070" .080" .090" .100" .150" .200" .250" .300" .350" .400" .450" .500" .600" .700" .800" .900" 1.000"		CHECKED	ENGINEER	
DO NOT SCALE THIS DRAWING		DATE USED ON	SCALE	DOOR LOCK- FLIGHT STATION
MATERIAL - FINISH	USED ON	SIZE D	CODE ENGT. NO. 51941	
NEXT ASST		DRAWING NO. 20676		REV. H
MANUFACTURE IN ACCORDANCE WITH SKYLOCK IND., INC. QUALITY CONTROL MANUAL QC 001		SCALE 1:1	VT	SHEET 1 OF 1